



中华人民共和国第一届学生(青年)运动会

THE 1ST STUDENT (YOUTH) GAMES OF THE PEOPLE'S REPUBLIC OF CHINA



广西南宁

Preliminary

FTR
Match NO. 1

广西北海

35.0 - 44.5
(16.0-28.0) (19.0-16.5)

广西南宁

2023-08-13 14:00
南宁学院体育馆

Referees: 许翔(CHN) / 刘禹(CHN)

广西北海

Players		Goals/shots										Attack				Defense			Penalties				TP	
#	Surname and name	Tot.	%	9m	6m	Wing	7m	Fst.	Brk.	FT	LD	As.	PC	E7	OE	St.	C7	Blk	W	2m	D	Dr		
6	陈鑫雨	7/9	77.78		4/6				2/2	1/1		1	1	3	2	2				1				56:45
7	张静	9/12	75			6/8		2/2	0/1	1/1					1									45:27
8	王梓墨	1/2	50	0/1	1/1									1										14:41
9	刘馨慧	4/9	44.44	0/1	1/3		3/5					3		1	1									25:03
11	梅欣洋													2	1					1				05:08
12	范文娜																							32:13
13	张心怡	2/4	50		1/1	0/1	1/2							1										06:30
14	赵方锐	0/1	0						0/1							1								08:37
15	王晓芸	3/6	50	1/3	1/1	0/1		1/1						2	4					1				39:09
16	孙一菡																							26:28
17	杨悦														1									27:48
18	陶璐得											1		6	1						1			50:29
19	李欣颐	3/6	50	1/1	1/2		0/2		1/1					1							1			23:47
22	杨洁	3/9	33.33		0/3	1/4		2/2						1	1	1				1		1		52:02
23	刘子冉																							00:00
32	李禹辰																							00:00
	合计	32/58	55.17	2/6	9/17	7/14	4/9	5/5	3/5	2/2		4	1	2	18	6	9	2		5				06:54:07

Goalkeepers		Saves / shots										TP
#	Surname and name	Tot.	%	9m	6m	Wing	7m	Fst.	Brk.	FT	LD	
12	范文娜	6/24	25	1/3	2/6	1/4	0/1	2/8	0/2			32:13
16	孙一菡	2/21	9.52	0/1	0/6	0/3	0/1	2/8	0/2			26:28
	合计	8/45	17.78	1/4	2/12	1/7	0/2	4/16	0/4			00:58:41

Jersey number Tot. Total shooting 6m 6m shooting 9m 9m shooting Wing Wing shooting Fst Fastbreak 7m 7m Throw
 Brk. Breakthrough LD Long distance shooting As. Assists E7 Earned 7m St. Steals 2m 2-minute suspension C7. Received 7m
 D Disqualification Dr Disqualification+Report FT Free Throw PC Pass clear chance OE Offensiven Errors TP Time played W warning
 Blk. Block



中华人民共和国第一届学生(青年)运动会

THE 1ST STUDENT (YOUTH) GAMES OF THE PEOPLE'S REPUBLIC OF CHINA



广西南宁

Preliminary

Match Team Statistics
Match NO. 1

广西北海 35.0 - 44.5
(16.0-28.0) (19.0-16.5)

2023-08-13 14:00
南宁学院体育馆

Referees: 许翔(CHN) / 刘禹(CHN)

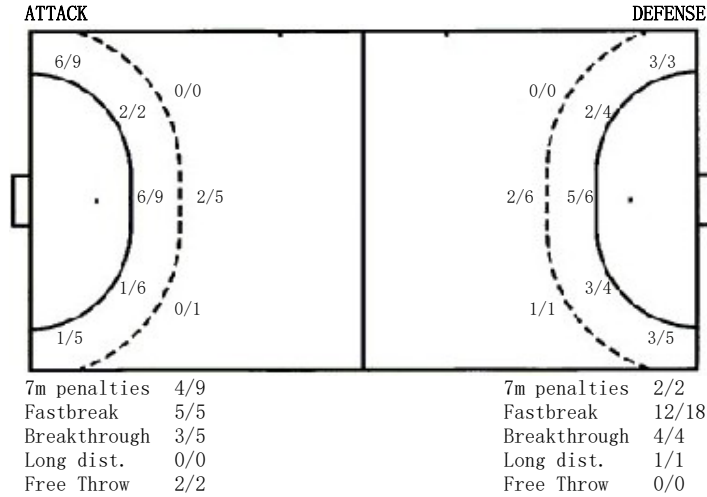
Shot distribution by player

6. 陈鑫雨	7. 张静	8. 王梓墨	9. 刘馨慧	11. 梅欣洋	12. 范文娜	13. 张心怡																																																															
<table border="1"><tr><td>1/1</td><td>0/1</td><td></td></tr><tr><td>1/1</td><td></td><td>1/1</td></tr><tr><td>3/3</td><td></td><td>1/1</td></tr></table>	1/1	0/1		1/1		1/1	3/3		1/1	<table border="1"><tr><td>2/2</td><td>1/1</td><td>1/2</td></tr><tr><td>1/2</td><td></td><td>1/1</td></tr><tr><td>1/1</td><td></td><td>2/2</td></tr></table>	2/2	1/1	1/2	1/2		1/1	1/1		2/2	<table border="1"><tr><td></td><td></td><td></td></tr><tr><td></td><td></td><td></td></tr><tr><td></td><td></td><td>1/1</td></tr></table>									1/1	<table border="1"><tr><td>0/2</td><td></td><td></td></tr><tr><td></td><td></td><td>1/1</td></tr><tr><td>3/3</td><td>0/1</td><td>0/1</td></tr></table>	0/2					1/1	3/3	0/1	0/1	<table border="1"><tr><td></td><td></td><td></td></tr><tr><td></td><td></td><td></td></tr><tr><td></td><td></td><td></td></tr></table>										<table border="1"><tr><td></td><td></td><td></td></tr><tr><td></td><td></td><td></td></tr><tr><td></td><td></td><td></td></tr></table>										<table border="1"><tr><td>1/1</td><td></td><td></td></tr><tr><td>0/1</td><td></td><td>1/2</td></tr><tr><td></td><td></td><td></td></tr></table>	1/1			0/1		1/2			
1/1	0/1																																																																				
1/1		1/1																																																																			
3/3		1/1																																																																			
2/2	1/1	1/2																																																																			
1/2		1/1																																																																			
1/1		2/2																																																																			
		1/1																																																																			
0/2																																																																					
		1/1																																																																			
3/3	0/1	0/1																																																																			
1/1																																																																					
0/1		1/2																																																																			
lmiss	lpost		lpost																																																																		
14. 赵方锐	15. 王晓芸	16. 孙一菡	17. 杨悦	18. 陶璐得	19. 李欣颐	22. 杨洁																																																															
<table border="1"><tr><td></td><td></td><td></td></tr><tr><td></td><td></td><td></td></tr><tr><td>0/1</td><td></td><td></td></tr></table>							0/1			<table border="1"><tr><td></td><td>0/1</td><td></td></tr><tr><td>1/1</td><td></td><td>1/1</td></tr><tr><td>1/1</td><td></td><td>0/1</td></tr></table>		0/1		1/1		1/1	1/1		0/1	<table border="1"><tr><td></td><td></td><td></td></tr><tr><td></td><td></td><td></td></tr><tr><td></td><td></td><td></td></tr></table>										<table border="1"><tr><td></td><td></td><td></td></tr><tr><td></td><td></td><td></td></tr><tr><td></td><td></td><td></td></tr></table>										<table border="1"><tr><td></td><td></td><td></td></tr><tr><td></td><td></td><td></td></tr><tr><td></td><td></td><td></td></tr></table>										<table border="1"><tr><td>2/3</td><td></td><td></td></tr><tr><td>0/1</td><td></td><td></td></tr><tr><td></td><td></td><td>1/1</td></tr></table>	2/3			0/1					1/1	<table border="1"><tr><td>1/1</td><td></td><td></td></tr><tr><td>1/1</td><td></td><td></td></tr><tr><td>0/2</td><td></td><td>1/2</td></tr></table>	1/1			1/1			0/2		1/2
0/1																																																																					
	0/1																																																																				
1/1		1/1																																																																			
1/1		0/1																																																																			
2/3																																																																					
0/1																																																																					
		1/1																																																																			
1/1																																																																					
1/1																																																																					
0/2		1/2																																																																			
	lpost	. 合计			lpost	lpost 2miss																																																															
<table border="1"><tr><td></td><td></td><td></td></tr><tr><td></td><td></td><td></td></tr><tr><td></td><td></td><td></td></tr></table>										<table border="1"><tr><td></td><td></td><td></td></tr><tr><td></td><td></td><td></td></tr><tr><td></td><td></td><td></td></tr></table>										<table border="1"><tr><td>7/10</td><td>1/3</td><td>1/2</td></tr><tr><td>4/7</td><td></td><td>5/6</td></tr><tr><td>8/11</td><td>0/1</td><td>6/9</td></tr></table>	7/10	1/3	1/2	4/7		5/6	8/11	0/1	6/9				5post 3miss 1block																																				
7/10	1/3	1/2																																																																			
4/7		5/6																																																																			
8/11	0/1	6/9																																																																			

Saves distribution goalkeepers

12. 范文娜	16. 孙一菡	. 合计																											
<table border="1"><tr><td>0/1</td><td></td><td>1/4</td></tr><tr><td>1/3</td><td></td><td>1/3</td></tr><tr><td>1/5</td><td></td><td>2/8</td></tr></table>	0/1		1/4	1/3		1/3	1/5		2/8	<table border="1"><tr><td>0/6</td><td></td><td>0/1</td></tr><tr><td>0/1</td><td></td><td>0/1</td></tr><tr><td>2/7</td><td>0/1</td><td>0/4</td></tr></table>	0/6		0/1	0/1		0/1	2/7	0/1	0/4	<table border="1"><tr><td>0/8</td><td></td><td>1/5</td></tr><tr><td>1/4</td><td></td><td>1/4</td></tr><tr><td>3/12</td><td>0/1</td><td>2/12</td></tr></table>	0/8		1/5	1/4		1/4	3/12	0/1	2/12
0/1		1/4																											
1/3		1/3																											
1/5		2/8																											
0/6		0/1																											
0/1		0/1																											
2/7	0/1	0/4																											
0/8		1/5																											
1/4		1/4																											
3/12	0/1	2/12																											

Shots by position



Shooting statistics

Position	Goals	Save	Miss	Post	Blk	Total	%
9m	2	3			1	6	33
6m	9	6	2			17	53
边射	7	3	1	3		14	50
7m	4	3		2		9	44
快攻	5					5	100
突破	3	2				5	60
任意球	2					2	100
超远射							
合计	32	17	3	5	1	58	55

# Jersey number	Tot. Total shooting	6m 6m shooting	9m 9m shooting	Wing Wing shooting	Fst Fastbreak	7m 7m Throw
Brk. Breakthrough	LD Long distance shooting	As. Assists	E7 Earned 7m	St. Steals	2m 2-minute suspension	C7. Received 7m
D Disqualification	Dr Disqualification+Report	FT Free Throw	PC Pass clear chance	OE Offensiven Errors	TP Time played	W warning
Blk. Block						

报表创建时间:2023-08-13 17:10:14



中华人民共和国第一届学生(青年)运动会

THE 1ST STUDENT (YOUTH) GAMES OF THE PEOPLE'S REPUBLIC OF CHINA



广西南宁

Preliminary

Match Team Statistics
Match NO. 1

广西北海

35.0 - 44.5
(16.0-28.0) (19.0-16.5)

广西南宁

2023-08-13 14:00
南宁学院体育馆

Referees: 许翔(CHN) / 刘禹(CHN)

广西南宁

Players		Goals/shots										Attack				Defense			Penalties				TP	
#	Surname and name	Tot.	%	9m	6m	Wing	7m	Fst.	Brk.	FT	LD	As.	PC	E7	OE	St.	C7	Blk	W	2m	D	Dr		
1	王晓妍	1/1	100								1/1	3			1									53:30
2	付昭君	1/1	100					1/1									1							00:00
3	程雅涵	9/10	90	0/1		3/3	1/1	5/5					1	2								1		60:00
6	李柯阳	1/2	50	1/2										1								1		06:54
7	刘子彤	6/10	60		5/6			1/4							1	1								59:51
8	张朔颜														1									00:00
9	孟芳芳															1								00:00
10	张井文	4/7	57.14		2/4			2/3				4			7	1								53:05
11	周越	0/1			0/1										1									03:56
12	张煜欣																							00:00
14	张芸如																							00:00
16	杨春风																							06:30
19	李子凤	6/10	60	2/4	1/1	2/4			1/1				1	1	8		1	1						56:04
21	施想	5/7	71.43		2/2	1/1	1/1	1/3							1	1						1		60:00
23	庞佳焯																							00:00
24	祝一凡	5/5	100					2/2	3/3			1		4	2	1						2		60:00
	合计	38/54	70.37	3/7	10/14	6/8	2/2	12/18	4/4		1/1	8	2	9	22	4	2	1				5		06:59:50

Goalkeepers		Saves / shots										TP
#	Surname and name	Tot.	%	9m	6m	Wing	7m	Fst	Brk.	FT	LD	
1	王晓妍	17/43	39.53	3/5	6/14	3/9	3/5	0/4	2/4	0/2		53:30
12	张煜欣											00:00
16	杨春风	0/6			0/1	0/1	0/2	0/1	0/1			06:30
	合计	17/49	34.69	3/5	6/15	3/10	3/7	0/5	2/5	0/2		01:00:00

#	Jersey number	Tot.	Total shooting	6m	6m shooting	9m	9m shooting	Wing	Wing shooting	Fst	Fastbreak	7m	7m Throw
Brk.	Breakthrough	LD	Long distance shooting	As.	Assists	E7	Earned 7m	St.	Steals	2m	2-minute suspension	C7.	Received 7m
D	Disqualification	Dr	Disqualification+Report	FT	Free Throw	PC	Pass clear chance	OE	Offensiven Errors	TP	Time played	W	warning
Blk.	Block												



广西南宁

Preliminary

FTR
Match NO. 1

广西北海 35.0 - 44.5 广西南宁
(16.0-28.0) (19.0-16.5)

2023-08-13 14:00
南宁学院体育馆

Referees: 许翔(CHN) / 刘禹(CHN)

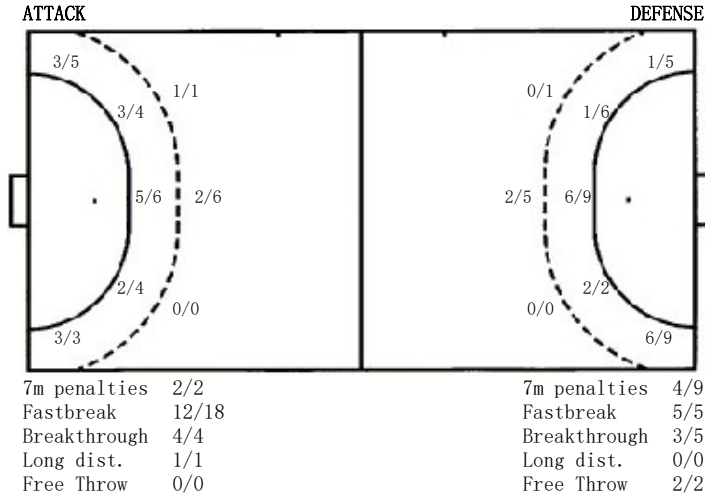
Shot distribution by player

1. 王晓妍	2. 付昭君	3. 程雅涵	6. 李柯阳	7. 刘予彤	8. 张朔颜	9. 孟芳芳																																																															
<table border="1"><tr><td>1/1</td><td></td><td></td></tr><tr><td></td><td></td><td></td></tr><tr><td></td><td></td><td></td></tr></table>	1/1									<table border="1"><tr><td></td><td></td><td></td></tr><tr><td></td><td></td><td></td></tr><tr><td></td><td></td><td>1/1</td></tr></table>									1/1	<table border="1"><tr><td>2/2</td><td></td><td></td></tr><tr><td>2/2</td><td></td><td></td></tr><tr><td>1/1</td><td>1/1</td><td>3/3</td></tr></table>	2/2			2/2			1/1	1/1	3/3	<table border="1"><tr><td></td><td></td><td></td></tr><tr><td></td><td></td><td></td></tr><tr><td></td><td></td><td>1/1</td></tr></table>									1/1	<table border="1"><tr><td>3/3</td><td></td><td>2/3</td></tr><tr><td>0/1</td><td></td><td></td></tr><tr><td>0/1</td><td></td><td>1/1</td></tr></table>	3/3		2/3	0/1			0/1		1/1	<table border="1"><tr><td></td><td></td><td></td></tr><tr><td></td><td></td><td></td></tr><tr><td></td><td></td><td></td></tr></table>										<table border="1"><tr><td></td><td></td><td></td></tr><tr><td></td><td></td><td></td></tr><tr><td></td><td></td><td></td></tr></table>									
1/1																																																																					
		1/1																																																																			
2/2																																																																					
2/2																																																																					
1/1	1/1	3/3																																																																			
		1/1																																																																			
3/3		2/3																																																																			
0/1																																																																					
0/1		1/1																																																																			
10. 张井文	11. 周越	12. 张煜欣	14. 张芸如	16. 杨春风	19. 李子凤	21. 施想																																																															
<table border="1"><tr><td></td><td></td><td>1/1</td></tr><tr><td></td><td></td><td></td></tr><tr><td>1/1</td><td></td><td>2/4</td></tr></table>			1/1				1/1		2/4	<table border="1"><tr><td></td><td></td><td></td></tr><tr><td></td><td></td><td></td></tr><tr><td></td><td></td><td></td></tr></table>										<table border="1"><tr><td></td><td></td><td></td></tr><tr><td></td><td></td><td></td></tr><tr><td></td><td></td><td></td></tr></table>										<table border="1"><tr><td></td><td></td><td></td></tr><tr><td></td><td></td><td></td></tr><tr><td></td><td></td><td></td></tr></table>										<table border="1"><tr><td></td><td></td><td></td></tr><tr><td></td><td></td><td></td></tr><tr><td></td><td></td><td></td></tr></table>										<table border="1"><tr><td>1/1</td><td></td><td></td></tr><tr><td></td><td></td><td>1/2</td></tr><tr><td>3/4</td><td></td><td>1/1</td></tr></table>	1/1					1/2	3/4		1/1	<table border="1"><tr><td>1/1</td><td></td><td></td></tr><tr><td>1/1</td><td></td><td></td></tr><tr><td>2/3</td><td></td><td>1/1</td></tr></table>	1/1			1/1			2/3		1/1
		1/1																																																																			
1/1		2/4																																																																			
1/1																																																																					
		1/2																																																																			
3/4		1/1																																																																			
1/1																																																																					
1/1																																																																					
2/3		1/1																																																																			
23. 庞佳焯	24. 祝一凡	. 合计																																																																			
<table border="1"><tr><td></td><td></td><td></td></tr><tr><td></td><td></td><td></td></tr><tr><td></td><td></td><td></td></tr></table>										<table border="1"><tr><td></td><td></td><td>1/1</td></tr><tr><td></td><td></td><td>2/2</td></tr><tr><td>2/2</td><td></td><td></td></tr></table>			1/1			2/2	2/2			<table border="1"><tr><td>8/8</td><td></td><td>4/5</td></tr><tr><td>3/4</td><td></td><td>3/4</td></tr><tr><td>9/12</td><td>1/1</td><td>10/12</td></tr></table>	8/8		4/5	3/4		3/4	9/12	1/1	10/12																																								
		1/1																																																																			
		2/2																																																																			
2/2																																																																					
8/8		4/5																																																																			
3/4		3/4																																																																			
9/12	1/1	10/12																																																																			

Saves distribution goalkeepers

1. 王晓妍	12. 张煜欣	16. 杨春风	. 合计																																				
<table border="1"><tr><td>3/7</td><td>2/2</td><td>1/2</td></tr><tr><td>3/7</td><td></td><td>1/6</td></tr><tr><td>3/9</td><td>1/1</td><td>3/9</td></tr></table>	3/7	2/2	1/2	3/7		1/6	3/9	1/1	3/9	<table border="1"><tr><td></td><td></td><td></td></tr><tr><td></td><td></td><td></td></tr><tr><td></td><td></td><td></td></tr></table>										<table border="1"><tr><td>0/3</td><td>0/1</td><td></td></tr><tr><td></td><td></td><td></td></tr><tr><td>0/2</td><td></td><td></td></tr></table>	0/3	0/1					0/2			<table border="1"><tr><td>3/10</td><td>2/3</td><td>1/2</td></tr><tr><td>3/7</td><td></td><td>1/6</td></tr><tr><td>3/11</td><td>1/1</td><td>3/9</td></tr></table>	3/10	2/3	1/2	3/7		1/6	3/11	1/1	3/9
3/7	2/2	1/2																																					
3/7		1/6																																					
3/9	1/1	3/9																																					
0/3	0/1																																						
0/2																																							
3/10	2/3	1/2																																					
3/7		1/6																																					
3/11	1/1	3/9																																					

Shots by position



Shooting statistics

Position	Goals	Save	Miss	Post	Blk	Total	%
9m	3	1	1		2	7	43
6m	10	2	2			14	71
边射	6	1		1		8	75
7m	2					2	100
快攻	12	4		2		18	67
突破	4					4	100
任意球							
超远射	1					1	100
合计	38	8	3	3	2	54	70

# Jersey number	Tot. Total shooting	6m 6m shooting	9m 9m shooting	Wing Wing shooting	Fst Fastbreak	7m 7m Throw
Brk. Breakthrough	LD Long distance shooting	As. Assists	E7 Earned 7m	St. Steals	2m 2-minute suspension	C7. Received 7m
D Disqualification	Dr Disqualification+Report	FT Free Throw	PC Pass clear chance	OE Offensiven Errors	TP Time played	W warning
Blk. Block						