



# 中华人民共和国第一届学生(青年)运动会

THE 1<sup>ST</sup> STUDENT (YOUTH) GAMES OF THE PEOPLE'S REPUBLIC OF CHINA



## 广西南宁

Mainround

FTR  
Match NO. 20

江苏苏州

44.0 - 17.5  
(25.0-8.0) (19.0-9.5)

北京朝阳

2023-08-19 18:00  
南宁学院体育馆

Referees: 王雨洋(CHN) / 宋悠悠(CHN)

### 江苏苏州

Players		Goals/shots										Attack				Defense			Penalties				TP	
#	Surname and name	Tot.	%	9m	6m	Wing	7m	Fst.	Brk.	FT	LD	As.	PC	E7	OE	St.	C7	Blk	W	2m	D	Dr		
1	黄思彤											1				1								30:00
2	李子艾														3			1			1			41:32
3	陈洪雪	1/1	100					1/1							1									06:32
6	陈一凡	1/2	50					1/2																09:48
7	邢紫艳	8/15	53.33	4/7	0/1			1/2	3/5			1				1								44:53
8	史子涵	7/10	70		2/2	0/1		5/7																44:54
9	赵绿南	1/4	25	1/2					0/2			1			2									18:23
10	刘雨晴	3/3	100			1/1		2/2				1			2									53:26
11	郑芸	2/2	100		1/1			1/1				1				1		2						17:36
12	张可											1			1									29:50
13	张秋雨	2/2	100					2/2																08:26
15	张佳睿	5/8	62.5	2/3	3/4			0/1							5									42:31
17	姜翌珊	2/2	100		1/1			1/1							1			1						08:05
19	缪钰淇	3/6	50	0/2	1/1				2/3					1	1									14:56
20	纵子怡																							10:18
25	邢缤燕	2/3	66.67		2/2				0/1						4									37:56
	合计	37/58	63.79	7/14	10/12	1/2		14/19	5/11			6	1		20	3		4	1	1				06:59:06

Goalkeepers		Saves / shots										TP
#	Surname and name	Tot.	%	9m	6m	Wing	7m	Fst.	Brk.	FT	LD	
1	黄思彤	5/13	38.46	1/4	3/5	1/3			0/1			30:00
12	张可	14/23	60.87	8/11	2/4	2/4		1/2	1/2			29:50
	合计	19/36	52.78	9/15	5/9	3/7		1/2	1/3			00:59:50

# Jersey number Tot. Total shooting 6m 6m shooting 9m 9m shooting Wing Wing shooting Fst Fastbreak 7m 7m Throw  
 Brk. Breakthrough LD Long distance shooting As. Assists E7 Earned 7m St. Steals 2m 2-minute suspension C7. Received 7m  
 D Disqualification Dr Disqualification+Report FT Free Throw PC Pass clear chance OE Offensiven Errors TP Time played W warning  
 Blk. Block



## 广西南宁

Mainround

Match Team Statistics  
Match NO. 20

江苏苏州 44.0 - 17.5  
(25.0-8.0) (19.0-9.5)

北京朝阳

2023-08-19 18:00  
南宁学院体育馆

Referees: 王雨洋(CHN) / 宋优悠(CHN)

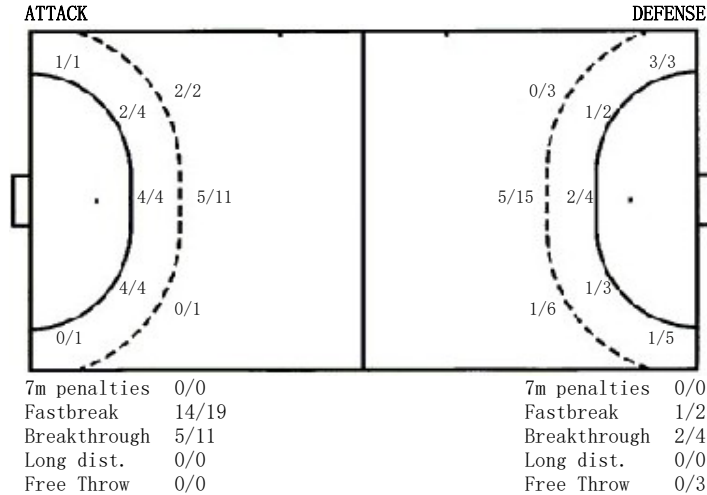
### Shot distribution by player

1. 黄思彤	2. 李子艾	3. 陈洪雪	6. 陈一凡	7. 邢紫艳	8. 史子涵	9. 赵绿南																																																															
<table border="1"><tr><td></td><td></td><td></td></tr><tr><td></td><td></td><td></td></tr><tr><td></td><td></td><td></td></tr></table>										<table border="1"><tr><td></td><td></td><td></td></tr><tr><td></td><td></td><td></td></tr><tr><td></td><td></td><td></td></tr></table>										<table border="1"><tr><td>1/1</td><td></td><td></td></tr><tr><td></td><td></td><td></td></tr><tr><td></td><td></td><td></td></tr></table>	1/1									<table border="1"><tr><td>1/1</td><td></td><td></td></tr><tr><td></td><td></td><td></td></tr><tr><td>0/1</td><td></td><td></td></tr></table>	1/1						0/1			<table border="1"><tr><td>1/1</td><td></td><td>2/2</td></tr><tr><td>1/1</td><td></td><td>0/1</td></tr><tr><td>4/6</td><td></td><td></td></tr></table> <small>2post 2block</small>	1/1		2/2	1/1		0/1	4/6			<table border="1"><tr><td>3/3</td><td></td><td></td></tr><tr><td>0/1</td><td></td><td></td></tr><tr><td>3/3</td><td></td><td>1/1</td></tr></table> <small>2post</small>	3/3			0/1			3/3		1/1	<table border="1"><tr><td>0/1</td><td></td><td>1/1</td></tr><tr><td></td><td></td><td></td></tr><tr><td>0/1</td><td></td><td>0/1</td></tr></table>	0/1		1/1				0/1		0/1
1/1																																																																					
1/1																																																																					
0/1																																																																					
1/1		2/2																																																																			
1/1		0/1																																																																			
4/6																																																																					
3/3																																																																					
0/1																																																																					
3/3		1/1																																																																			
0/1		1/1																																																																			
0/1		0/1																																																																			
10. 刘雨晴	11. 郑芸	12. 张可	13. 张秋雨	15. 张佳睿	17. 姜翌珊	19. 缪钰淇																																																															
<table border="1"><tr><td></td><td></td><td></td></tr><tr><td>1/1</td><td></td><td></td></tr><tr><td></td><td></td><td>2/2</td></tr></table>				1/1					2/2	<table border="1"><tr><td></td><td></td><td>2/2</td></tr><tr><td></td><td></td><td></td></tr><tr><td></td><td></td><td></td></tr></table>			2/2							<table border="1"><tr><td></td><td></td><td></td></tr><tr><td></td><td></td><td></td></tr><tr><td></td><td></td><td></td></tr></table>										<table border="1"><tr><td></td><td></td><td>1/1</td></tr><tr><td></td><td></td><td></td></tr><tr><td>1/1</td><td></td><td></td></tr></table>			1/1				1/1			<table border="1"><tr><td>2/3</td><td></td><td></td></tr><tr><td>0/1</td><td></td><td></td></tr><tr><td>1/1</td><td></td><td>2/2</td></tr></table> <small>lmiss</small>	2/3			0/1			1/1		2/2	<table border="1"><tr><td></td><td></td><td></td></tr><tr><td></td><td></td><td></td></tr><tr><td></td><td></td><td>2/2</td></tr></table>									2/2	<table border="1"><tr><td></td><td></td><td></td></tr><tr><td>0/1</td><td></td><td></td></tr><tr><td>1/1</td><td></td><td>2/2</td></tr></table> <small>lpost lmiss</small>				0/1			1/1		2/2
1/1																																																																					
		2/2																																																																			
		2/2																																																																			
		1/1																																																																			
1/1																																																																					
2/3																																																																					
0/1																																																																					
1/1		2/2																																																																			
		2/2																																																																			
0/1																																																																					
1/1		2/2																																																																			
20. 纵子怡	25. 邢缤燕	. 合计																																																																			
<table border="1"><tr><td></td><td></td><td></td></tr><tr><td></td><td></td><td></td></tr><tr><td></td><td></td><td></td></tr></table>										<table border="1"><tr><td></td><td></td><td></td></tr><tr><td>0/1</td><td></td><td>2/2</td></tr><tr><td></td><td></td><td></td></tr></table>				0/1		2/2				<table border="1"><tr><td>8/10</td><td></td><td>6/6</td></tr><tr><td>2/5</td><td></td><td>0/1</td></tr><tr><td>10/15</td><td></td><td>11/12</td></tr></table> <small>5post 2miss 2block</small>	8/10		6/6	2/5		0/1	10/15		11/12																																								
0/1		2/2																																																																			
8/10		6/6																																																																			
2/5		0/1																																																																			
10/15		11/12																																																																			

### Saves distribution goalkeepers

1. 黄思彤	12. 张可	. 合计																											
<table border="1"><tr><td>1/1</td><td></td><td>1/3</td></tr><tr><td>2/2</td><td></td><td>0/1</td></tr><tr><td>0/1</td><td>0/1</td><td>1/4</td></tr></table>	1/1		1/3	2/2		0/1	0/1	0/1	1/4	<table border="1"><tr><td>3/6</td><td>1/1</td><td>1/1</td></tr><tr><td>3/3</td><td>1/1</td><td>2/3</td></tr><tr><td>1/5</td><td>1/1</td><td>1/2</td></tr></table>	3/6	1/1	1/1	3/3	1/1	2/3	1/5	1/1	1/2	<table border="1"><tr><td>4/7</td><td>1/1</td><td>2/4</td></tr><tr><td>5/5</td><td>1/1</td><td>2/4</td></tr><tr><td>1/6</td><td>1/2</td><td>2/6</td></tr></table>	4/7	1/1	2/4	5/5	1/1	2/4	1/6	1/2	2/6
1/1		1/3																											
2/2		0/1																											
0/1	0/1	1/4																											
3/6	1/1	1/1																											
3/3	1/1	2/3																											
1/5	1/1	1/2																											
4/7	1/1	2/4																											
5/5	1/1	2/4																											
1/6	1/2	2/6																											

### Shots by position



### Shooting statistics

Position	Goals	Save	Miss	Post	Blk	Total	%
9m	7	3	1	1	2	14	50
6m	10	1	1			12	83
边射	1			1		2	50
7m							
快攻	14	4		1		19	74
突破	5	4		2		11	45
任意球							
超远射							
合计	37	12	2	5	2	58	64

# Jersey number	Tot. Total shooting	6m 6m shooting	9m 9m shooting	Wing Wing shooting	Fst Fastbreak	7m 7m Throw
Brk. Breakthrough	LD Long distance shooting	As. Assists	E7 Earned 7m	St. Steals	2m 2-minute suspension	C7. Received 7m
D Disqualification	Dr Disqualification+Report	FT Free Throw	PC Pass clear chance	OE Offensiven Errors	TP Time played	W warning
Blk. Block						



## 广西南宁

Mainround

Match Team Statistics  
Match NO. 20

江苏苏州

44.0 - 17.5  
(25.0-8.0) (19.0-9.5)

北京朝阳

2023-08-19 18:00  
南宁学院体育馆

Referees: 王雨洋(CHN) / 宋悠悠(CHN)

### 北京朝阳

Players		Goals/shots										Attack				Defense			Penalties				TP	
#	Surname and name	Tot.	%	9m	6m	Wing	7m	Fst.	Brk.	FT	LD	As.	PC	E7	OE	St.	C7	Blk	W	2m	D	Dr		
3	潘枫莹	3/8	37.5	0/3		1/1		1/2	1/2			1			5	2		1						44:27
5	刘守平	1/2	50			1/2									1									13:16
6	信颖	2/2	100		1/1	1/1									5									30:09
7	赵荣鑫	0/3			0/1	0/2									1									46:44
8	鲍多加																							00:00
9	刘晨	2/14	14.29	2/9	0/2					0/3					6	1								39:58
11	肖晓芸	0/1		0/1											1									13:16
13	渠淑慧																							00:00
14	吴蕊	0/1			0/1																			13:16
15	侯雅君																							25:32
16	郭正梅																							29:19
19	高芷瞳														1									30:33
28	高玥	1/1	100			1/1									4									32:21
29	程欣平	2/6	33.33	1/2	0/1	0/1			1/2						2									29:08
35	李莹	4/10	40	3/9	1/1																			36:04
51	王彧嘉	2/2	100		2/2										1			1		1				35:39
	合计	17/50	34	6/24	4/9	4/8		1/2	2/4	0/3		1			27	3		2		1				06:59:42

Goalkeepers		Saves / shots										TP
#	Surname and name	Tot.	%	9m	6m	Wing	7m	Fst	Brk.	FT	LD	
16	郭正梅	6/23	26.09	2/6	1/5			1/7	2/5			29:19
19	高芷瞳	6/26	23.08	1/4	0/6	0/1		3/11	2/4			30:33
	合计	12/49	24.49	3/10	1/11	0/1		4/18	4/9			00:59:52

# Jersey number Tot. Total shooting 6m 6m shooting 9m 9m shooting Wing Wing shooting Fst Fastbreak 7m 7m Throw  
 Brk. Breakthrough LD Long distance shooting As. Assists E7 Earned 7m St. Steals 2m 2-minute suspension C7. Received 7m  
 D Disqualification Dr Disqualification+Report FT Free Throw PC Pass clear chance OE Offensiven Errors TP Time played W warning  
 Blk. Block



## 广西南宁

Mainround

FTR  
Match NO. 20

江苏苏州 44.0 - 17.5  
(25.0-8.0) (19.0-9.5)

北京朝阳

2023-08-19 18:00  
南宁学院体育馆

Referees: 王雨洋(CHN) / 宋优悠(CHN)

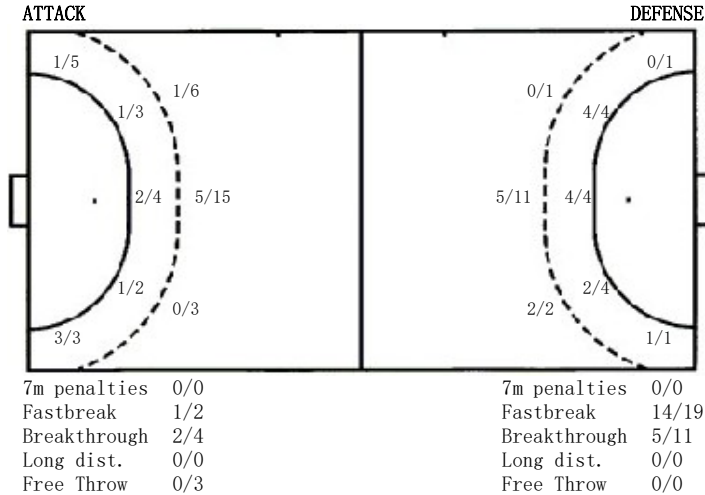
### Shot distribution by player

3. 潘枫莹	5. 刘守平	6. 信颖	7. 赵荣鑫	8. 鲍多加	9. 刘晨	11. 肖晓芸
1/2 0/1 1/1 1/1	0/1 1/1	1/1 1/1	0/1 0/1		2/4 0/2 0/1	0/1
1post 1miss 1block					2post 4miss 1block	
13. 渠淑慧	14. 吴蕊	15. 侯雅君	16. 郭正梅	19. 高芷瞳	28. 高玥	29. 程欣平
	0/1				1/1	0/1 1/2
					1/1	2miss
35. 李莹	51. 王彧嘉	. 合计				
1/2 0/1 3/3	2/2	3/7 0/1 2/4 0/5 0/1 2/4 5/6 1/2 4/6				
		3post 7miss 4block				

### Saves distribution goalkeepers

16. 郭正梅	19. 高芷瞳	. 合计
1/4 1/2 3/7	1/6 2/3 2/8	2/10 3/5 5/15
0/4 1/1 0/5	0/2	0/6 1/1 1/12

### Shots by position



### Shooting statistics

Position	Goals	Save	Miss	Post	Blk	Total	%
9m	6	9	3	2	4	24	25
6m	4	5				9	44
边射	4	3	1			8	50
7m							
快攻	1	1				2	50
突破	2	1	1			4	50
任意球			2	1		3	
超远射							
合计	17	19	7	3	4	50	34

# Jersey number	Tot. Total shooting	6m 6m shooting	9m 9m shooting	Wing Wing shooting	Fst Fastbreak	7m 7m Throw
Brk. Breakthrough	LD Long distance shooting	As. Assists	E7 Earned 7m	St. Steals	2m 2-minute suspension	C7. Received 7m
D Disqualification	Dr Disqualification+Report	FT Free Throw	PC Pass clear chance	OE Offensiven Errors	TP Time played	W warning
Blk. Block						