



中华人民共和国第一届学生(青年)运动会

THE 1ST STUDENT (YOUTH) GAMES OF THE PEOPLE'S REPUBLIC OF CHINA



广西南宁

Place 5-8

FTR
Match NO. 22

广东深圳

26.5 - 37.0
(9.5-19.0) (17.0-18.0)

北京朝阳

2023-08-20 14:40
南宁学院体育馆

Referees: 徐健(CHN) / 周云磊(CHN)

广东深圳

Players		Goals/shots										Attack				Defense			Penalties				TP	
#	Surname and name	Tot.	%	9m	6m	Wing	7m	Fst.	Brk.	FT	LD	As.	PC	E7	OE	St.	C7	B1k	W	2m	D	Dr		
3	程乐珊	2/2	100		1/1			1/1				1		1	1		1							60:00
4	周夏平																							00:00
6	覃元沿	4/8	50		1/3			2/2	1/3						9	1	2							60:00
8	潘媛媛	3/4	75		1/2			2/2									1							30:00
11	张露文																							00:00
12	江津津																							00:00
15	曲菁熠	6/12	50		0/1	1/1	2/5	3/4		0/1		1			3	2				1				60:00
16	邱思甜																							30:00
19	张晓梅	4/8	50	1/3			1/2	1/1	1/1	0/1				1	4		1			2				59:57
22	黎芊慧																							00:00
23	邓颖芝														5	1	1							30:00
27	黄坚苹																							00:00
28	陈瑶																							00:00
30	陈莲娣																							00:00
32	陈秋莹	3/6	50		0/1	2/4	1/1								3		2							60:00
34	唐洁然																							00:00
	合计	22/40	55	1/3	3/8	3/5	4/8	9/10	2/4	0/2		2		2	25	4	8			3				06:29:57

Goalkeepers		Saves / shots										TP
#	Surname and name	Tot.	%	9m	6m	Wing	7m	Fst.	Brk.	FT	LD	
12	江津津											00:00
16	邱思甜	8/35	22.86	4/9	1/9	1/8	0/1	1/6	1/1	0/1		30:00
	合计	8/35	22.86	4/9	1/9	1/8	0/1	1/6	1/1	0/1		00:30:00

Jersey number Tot. Total shooting 6m 6m shooting 9m 9m shooting Wing Wing shooting Fst Fastbreak 7m 7m Throw
 Brk. Breakthrough LD Long distance shooting As. Assists E7 Earned 7m St. Steals 2m 2-minute suspension C7. Received 7m
 D Disqualification Dr Disqualification+Report FT Free Throw PC Pass clear chance OE Offensiven Errors TP Time played W warning
 Blk. Block



广西南宁

Place 5-8

Match Team Statistics
Match NO. 22

广东深圳 26.5 - 37.0
(9.5-19.0) (17.0-18.0)

北京朝阳

2023-08-20 14:40
南宁学院体育馆

Referees: 徐健(CHN) / 周云磊(CHN)

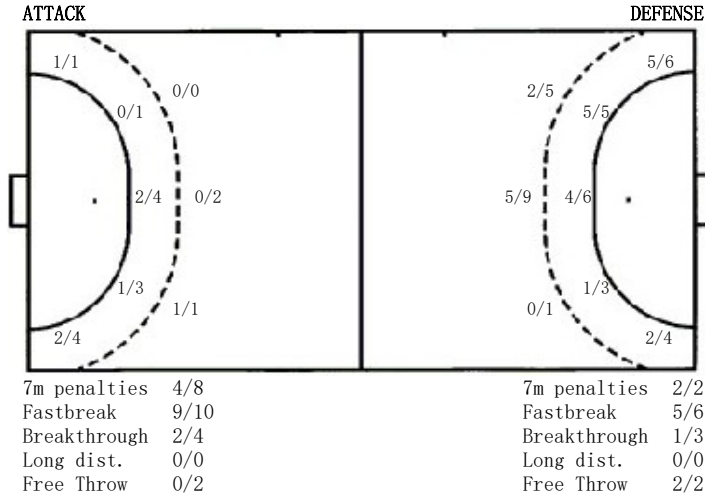
Shot distribution by player

3. 程乐珊	4. 周夏平	6. 覃元沿	8. 潘媛媛	11. 张露文	12. 江津津	15. 曲菁熠																																																															
<table border="1"><tr><td></td><td></td><td></td></tr><tr><td></td><td></td><td></td></tr><tr><td>2/2</td><td></td><td></td></tr></table>							2/2			<table border="1"><tr><td></td><td></td><td></td></tr><tr><td></td><td></td><td></td></tr><tr><td></td><td></td><td></td></tr></table>										<table border="1"><tr><td></td><td></td><td></td></tr><tr><td>0/1</td><td></td><td></td></tr><tr><td>2/3</td><td></td><td>2/2</td></tr></table> 1post 1miss				0/1			2/3		2/2	<table border="1"><tr><td></td><td></td><td></td></tr><tr><td></td><td></td><td></td></tr><tr><td></td><td>2/2</td><td>1/1</td></tr></table> 1post								2/2	1/1	<table border="1"><tr><td></td><td></td><td></td></tr><tr><td></td><td></td><td></td></tr><tr><td></td><td></td><td></td></tr></table>										<table border="1"><tr><td></td><td></td><td></td></tr><tr><td></td><td></td><td></td></tr><tr><td></td><td></td><td></td></tr></table>										<table border="1"><tr><td></td><td>1/1</td><td>2/2</td></tr><tr><td>0/2</td><td></td><td>1/1</td></tr><tr><td></td><td></td><td>2/2</td></tr></table> 1post 2miss 1block		1/1	2/2	0/2		1/1			2/2
2/2																																																																					
0/1																																																																					
2/3		2/2																																																																			
	2/2	1/1																																																																			
	1/1	2/2																																																																			
0/2		1/1																																																																			
		2/2																																																																			
16. 邱思甜	19. 张晓梅	22. 黎芊慧	23. 邓颖芝	27. 黄坚莘	28. 陈瑶	30. 陈莲娣																																																															
<table border="1"><tr><td></td><td></td><td></td></tr><tr><td></td><td></td><td></td></tr><tr><td></td><td></td><td></td></tr></table>										<table border="1"><tr><td>1/1</td><td></td><td>1/1</td></tr><tr><td></td><td>0/1</td><td>1/1</td></tr><tr><td></td><td></td><td>1/2</td></tr></table> 2miss	1/1		1/1		0/1	1/1			1/2	<table border="1"><tr><td></td><td></td><td></td></tr><tr><td></td><td></td><td></td></tr><tr><td></td><td></td><td></td></tr></table>										<table border="1"><tr><td></td><td></td><td></td></tr><tr><td></td><td></td><td></td></tr><tr><td></td><td></td><td></td></tr></table>										<table border="1"><tr><td></td><td></td><td></td></tr><tr><td></td><td></td><td></td></tr><tr><td></td><td></td><td></td></tr></table>										<table border="1"><tr><td></td><td></td><td></td></tr><tr><td></td><td></td><td></td></tr><tr><td></td><td></td><td></td></tr></table>										<table border="1"><tr><td></td><td></td><td></td></tr><tr><td></td><td></td><td></td></tr><tr><td></td><td></td><td></td></tr></table>									
1/1		1/1																																																																			
	0/1	1/1																																																																			
		1/2																																																																			
32. 陈秋莹	34. 唐洁然	. 合计																																																																			
<table border="1"><tr><td>2/2</td><td></td><td></td></tr><tr><td>0/1</td><td></td><td>0/1</td></tr><tr><td>1/1</td><td></td><td></td></tr></table> 1post	2/2			0/1		0/1	1/1			<table border="1"><tr><td></td><td></td><td></td></tr><tr><td></td><td></td><td></td></tr><tr><td></td><td></td><td></td></tr></table>										<table border="1"><tr><td>3/3</td><td>1/1</td><td>3/3</td></tr><tr><td>0/4</td><td>0/1</td><td>2/3</td></tr><tr><td>5/6</td><td>2/2</td><td>6/7</td></tr></table> 4post 5miss 1block	3/3	1/1	3/3	0/4	0/1	2/3	5/6	2/2	6/7																																								
2/2																																																																					
0/1		0/1																																																																			
1/1																																																																					
3/3	1/1	3/3																																																																			
0/4	0/1	2/3																																																																			
5/6	2/2	6/7																																																																			

Saves distribution goalkeepers

12. 江津津	16. 邱思甜	. 合计																											
<table border="1"><tr><td></td><td></td><td></td></tr><tr><td></td><td></td><td></td></tr><tr><td></td><td></td><td></td></tr></table>										<table border="1"><tr><td>1/11</td><td>2/3</td><td>1/5</td></tr><tr><td>1/4</td><td></td><td>2/3</td></tr><tr><td>1/6</td><td>0/1</td><td>0/2</td></tr></table>	1/11	2/3	1/5	1/4		2/3	1/6	0/1	0/2	<table border="1"><tr><td>1/13</td><td>2/4</td><td>1/5</td></tr><tr><td>1/5</td><td></td><td>2/3</td></tr><tr><td>1/7</td><td>1/2</td><td>0/4</td></tr></table>	1/13	2/4	1/5	1/5		2/3	1/7	1/2	0/4
1/11	2/3	1/5																											
1/4		2/3																											
1/6	0/1	0/2																											
1/13	2/4	1/5																											
1/5		2/3																											
1/7	1/2	0/4																											

Shots by position



Shooting statistics

Position	Goals	Save	Miss	Post	Blk	Total	%
9m	1	1	1			3	33
6m	3	2	1	2		8	38
边射	3	1		1		5	60
7m	4	2	2			8	50
快攻	9			1		10	90
突破	2	1	1			4	50
任意球		1			1	2	
超远射							
合计	22	8	5	4	1	40	55

# Jersey number	Tot. Total shooting	6m 6m shooting	9m 9m shooting	Wing Wing shooting	Fst Fastbreak	7m 7m Throw
Brk. Breakthrough	LD Long distance shooting	As. Assists	E7 Earned 7m	St. Steals	2m 2-minute suspension	C7. Received 7m
D Disqualification	Dr Disqualification+Report	FT Free Throw	PC Pass clear chance	OE Offensiven Errors	TP Time played	W warning
Blk. Block						



中华人民共和国第一届学生(青年)运动会

THE 1ST STUDENT (YOUTH) GAMES OF THE PEOPLE'S REPUBLIC OF CHINA



广西南宁

Place 5-8

Match Team Statistics
Match NO. 22

广东深圳

26.5 - 37.0
(9.5-19.0) (17.0-18.0)

北京朝阳

2023-08-20 14:40
南宁学院体育馆

Referees: 徐健(CHN) / 周云磊(CHN)

北京朝阳

Players		Goals/shots										Attack				Defense			Penalties				TP		
#	Surname and name	Tot.	%	9m	6m	Wing	7m	Fst.	Brk.	FT	LD	As.	PC	E7	OE	St.	C7	Blk	W	2m	D	Dr			
3	潘枫莹	8/10	80	3/3	1/2	2/3	2/2					1	1	1	1	1							2		57:10
5	刘守平	0/1			0/1											1									02:50
6	信颖	4/4	100		1/1	3/3									1										51:52
7	赵荣鑫	2/4	50	0/1				2/3				1		1									1		57:04
8	鲍多加																								00:00
9	刘晨	11/17	64.71	4/9	4/4	2/3				1/1		4	1	3	2								1		57:21
11	肖晓芸	0/1		0/1																					02:34
13	渠淑慧	1/1	100					1/1															1		02:36
14	吴蕊																								00:00
15	侯雅君																								02:24
16	郭正梅																								14:57
19	高芷瞳														1										24:55
28	高玥														1								1		12:24
29	程欣平	3/8	37.5	0/1	1/2	0/1		1/1	1/3			2		1	4										49:47
35	李莹	2/3	66.67		1/2					1/1					1								1		12:44
51	王彧嘉	3/3	100		2/2			1/1				1		2	1	3	2	1					1		49:26
	合计	34/52	65.38	7/15	10/14	7/10	2/2	5/6	1/3	2/2		9	2	8	12	5	2	1					8		06:38:04

Goalkeepers		Saves / shots										TP
#	Surname and name	Tot.	%	9m	6m	Wing	7m	Fst	Brk.	FT	LD	
16	郭正梅	1/7	14.29			1/1	0/3	0/2	0/1			14:57
19	高芷瞳	6/15	40	1/2	2/3	0/3	1/1	0/3	1/2	1/1		24:55
	合计	7/22	31.82	1/2	2/3	1/4	1/4	0/5	1/3	1/1		00:39:52

Jersey number Tot. Total shooting 6m 6m shooting 9m 9m shooting Wing Wing shooting Fst Fastbreak 7m 7m Throw
 Brk. Breakthrough LD Long distance shooting As. Assists E7 Earned 7m St. Steals 2m 2-minute suspension C7. Received 7m
 D Disqualification Dr Disqualification+Report FT Free Throw PC Pass clear chance OE Offensiven Errors TP Time played W warning
 Blk. Block



广西南宁

Place 5-8

FTR
Match NO. 22

广东深圳 26.5 - 37.0
(9.5-19.0) (17.0-18.0)

北京朝阳

2023-08-20 14:40
南宁学院体育馆

Referees: 徐健(CHN) / 周云磊(CHN)

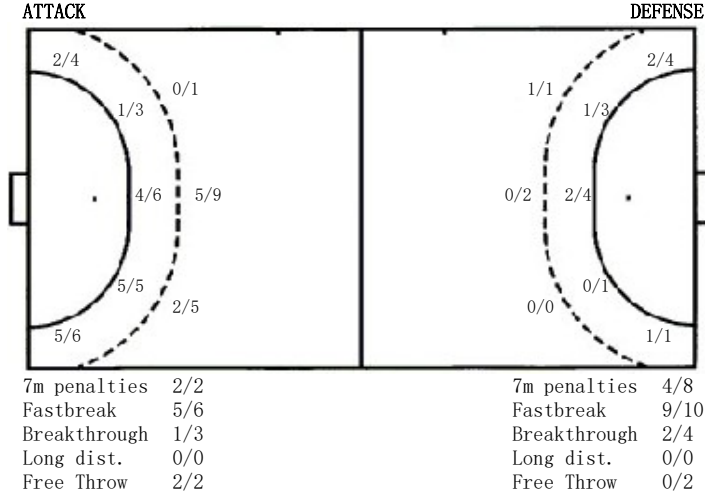
Shot distribution by player

3. 潘枫莹	5. 刘守平	6. 信颖	7. 赵荣鑫	8. 鲍多加	9. 刘晨	11. 肖晓芸																																																															
<table border="1"><tr><td>4/4</td><td>1/2</td><td>1/1</td></tr><tr><td>1/2</td><td></td><td>1/1</td></tr><tr><td></td><td></td><td></td></tr></table>	4/4	1/2	1/1	1/2		1/1				<table border="1"><tr><td></td><td></td><td></td></tr><tr><td></td><td></td><td></td></tr><tr><td></td><td></td><td></td></tr></table> 1post										<table border="1"><tr><td>2/2</td><td></td><td>1/1</td></tr><tr><td>1/1</td><td></td><td></td></tr><tr><td></td><td></td><td></td></tr></table>	2/2		1/1	1/1						<table border="1"><tr><td></td><td></td><td></td></tr><tr><td></td><td></td><td>0/1</td></tr><tr><td>2/2</td><td></td><td></td></tr></table> 1miss						0/1	2/2			<table border="1"><tr><td></td><td></td><td></td></tr><tr><td></td><td></td><td></td></tr><tr><td></td><td></td><td></td></tr></table>										<table border="1"><tr><td>4/4</td><td></td><td>2/3</td></tr><tr><td>2/2</td><td></td><td>0/1</td></tr><tr><td>1/1</td><td>1/2</td><td>1/1</td></tr></table> 1post 2miss	4/4		2/3	2/2		0/1	1/1	1/2	1/1	<table border="1"><tr><td></td><td>0/1</td><td></td></tr><tr><td></td><td></td><td></td></tr><tr><td></td><td></td><td></td></tr></table>		0/1							
4/4	1/2	1/1																																																																			
1/2		1/1																																																																			
2/2		1/1																																																																			
1/1																																																																					
		0/1																																																																			
2/2																																																																					
4/4		2/3																																																																			
2/2		0/1																																																																			
1/1	1/2	1/1																																																																			
	0/1																																																																				
13. 渠淑慧	14. 吴蕊	15. 侯雅君	16. 郭正梅	19. 高芷瞳	28. 高玥	29. 程欣平																																																															
<table border="1"><tr><td>1/1</td><td></td><td></td></tr><tr><td></td><td></td><td></td></tr><tr><td></td><td></td><td></td></tr></table>	1/1									<table border="1"><tr><td></td><td></td><td></td></tr><tr><td></td><td></td><td></td></tr><tr><td></td><td></td><td></td></tr></table>										<table border="1"><tr><td></td><td></td><td></td></tr><tr><td></td><td></td><td></td></tr><tr><td></td><td></td><td></td></tr></table>										<table border="1"><tr><td></td><td></td><td></td></tr><tr><td></td><td></td><td></td></tr><tr><td></td><td></td><td></td></tr></table>										<table border="1"><tr><td></td><td></td><td></td></tr><tr><td></td><td></td><td></td></tr><tr><td></td><td></td><td></td></tr></table>										<table border="1"><tr><td></td><td></td><td></td></tr><tr><td></td><td></td><td></td></tr><tr><td></td><td></td><td></td></tr></table>										<table border="1"><tr><td>0/1</td><td></td><td></td></tr><tr><td></td><td></td><td></td></tr><tr><td>1/2</td><td></td><td>2/2</td></tr></table> 3post	0/1						1/2		2/2
1/1																																																																					
0/1																																																																					
1/2		2/2																																																																			
35. 李莹	51. 王彧嘉	. 合计																																																																			
<table border="1"><tr><td></td><td></td><td></td></tr><tr><td></td><td></td><td></td></tr><tr><td>1/1</td><td></td><td>1/1</td></tr></table> 1post							1/1		1/1	<table border="1"><tr><td>1/1</td><td>1/1</td><td></td></tr><tr><td></td><td></td><td></td></tr><tr><td>1/1</td><td></td><td></td></tr></table>	1/1	1/1					1/1			<table border="1"><tr><td>12/13</td><td>2/4</td><td>4/5</td></tr><tr><td>4/5</td><td></td><td>1/3</td></tr><tr><td>6/7</td><td>1/2</td><td>4/4</td></tr></table> 6post 3miss	12/13	2/4	4/5	4/5		1/3	6/7	1/2	4/4																																								
1/1		1/1																																																																			
1/1	1/1																																																																				
1/1																																																																					
12/13	2/4	4/5																																																																			
4/5		1/3																																																																			
6/7	1/2	4/4																																																																			

Saves distribution goalkeepers

16. 郭正梅	19. 高芷瞳	. 合计																											
<table border="1"><tr><td>0/1</td><td></td><td></td></tr><tr><td>1/1</td><td></td><td>0/1</td></tr><tr><td>0/1</td><td></td><td>0/3</td></tr></table>	0/1			1/1		0/1	0/1		0/3	<table border="1"><tr><td>0/2</td><td>0/1</td><td>0/1</td></tr><tr><td>2/2</td><td>1/1</td><td>1/1</td></tr><tr><td>1/3</td><td>0/1</td><td>1/3</td></tr></table>	0/2	0/1	0/1	2/2	1/1	1/1	1/3	0/1	1/3	<table border="1"><tr><td>0/3</td><td>0/1</td><td>0/3</td></tr><tr><td>4/4</td><td>1/1</td><td>1/3</td></tr><tr><td>1/6</td><td>0/2</td><td>1/7</td></tr></table>	0/3	0/1	0/3	4/4	1/1	1/3	1/6	0/2	1/7
0/1																													
1/1		0/1																											
0/1		0/3																											
0/2	0/1	0/1																											
2/2	1/1	1/1																											
1/3	0/1	1/3																											
0/3	0/1	0/3																											
4/4	1/1	1/3																											
1/6	0/2	1/7																											

Shots by position



Shooting statistics

Position	Goals	Save	Miss	Post	Blk	Total	%
9m	7	5	3			15	47
6m	10	1		3		14	71
边射	7	1		2		10	70
7m	2					2	100
快攻	5	1				6	83
突破	1	1		1		3	33
任意球	2					2	100
超远射							
合计	34	9	3	6		52	65

# Jersey number	Tot. Total shooting	6m 6m shooting	9m 9m shooting	Wing Wing shooting	Fst Fastbreak	7m 7m Throw
Brk. Breakthrough	LD Long distance shooting	As. Assists	E7 Earned 7m	St. Steals	2m 2-minute suspension	C7. Received 7m
D Disqualification	Dr Disqualification+Report	FT Free Throw	PC Pass clear chance	OE Offensiven Errors	TP Time played	W warning
Blk. Block						