



# 中华人民共和国第一届学生(青年)运动会

THE 1<sup>ST</sup> STUDENT (YOUTH) GAMES OF THE PEOPLE'S REPUBLIC OF CHINA



## 广西南宁

Final

FTR  
Match NO. 24

广西北海

28.5 - 40.5  
(15.5-15.5) (13.0-25.0)

江苏苏州

2023-08-20 18:00  
南宁学院体育馆

Referees: 许翔(CHN) / 刘禹(CHN)

### 广西北海

Players		Goals/shots										Attack				Defense			Penalties				TP	
#	Surname and name	Tot.	%	9m	6m	Wing	7m	Fst.	Brk.	FT	LD	As.	PC	E7	OE	St.	C7	Blk	W	2m	D	Dr		
6	陈鑫雨	5/5	100		4/4				1/1				1	1	1	1				2				58:55
7	张静	2/5	40			2/3		0/2																35:15
8	王梓墨	1/4	25			1/4																		15:35
9	刘馨慧	4/7	57.14		0/1		3/3	0/1	1/2			1												22:09
11	梅欣洋														4									21:06
12	范文娜																							02:14
13	张心怡																							00:00
14	赵方锐													1										06:32
15	王晓芸	2/6	33.33	0/2	2/3				0/1			1	2	5	2	2				1				44:36
16	孙一菡													1										57:46
17	杨悦														1									20:53
18	陶璐得	1/2	50	1/2								1		1							1			20:59
19	李欣颐	8/20	40	5/13	2/4					1/3				5		1								53:28
22	杨洁	4/4	100		1/1	1/1		2/2								3								60:00
23	刘子冉																							00:00
32	李禹辰																							00:00
	合计	27/53	50.94	6/17	9/13	4/8	3/3	2/5	2/4	1/3		3	1	3	18	7	3			4				06:59:28

Goalkeepers		Saves / shots										TP
#	Surname and name	Tot.	%	9m	6m	Wing	7m	Fst.	Brk.	FT	LD	
12	范文娜	0/2						0/1	0/1			02:14
16	孙一菡	20/51	39.22	8/13	5/10	2/5	1/2	3/16	1/5			57:46
	合计	20/53	37.74	8/13	5/10	2/5	1/2	3/17	1/6			01:00:00

# Jersey number Tot. Total shooting 6m 6m shooting 9m 9m shooting Wing Wing shooting Fst Fastbreak 7m 7m Throw  
 Brk. Breakthrough LD Long distance shooting As. Assists E7 Earned 7m St. Steals 2m 2-minute suspension C7. Received 7m  
 D Disqualification Dr Disqualification+Report FT Free Throw PC Pass clear chance OE Offensiven Errors TP Time played W warning  
 Blk. Block



## 广西南宁

Final

Match Team Statistics  
Match NO. 24

广西北海 28.5 - 40.5 江苏苏州  
(15.5-15.5) (13.0-25.0)

2023-08-20 18:00  
南宁学院体育馆

Referees: 许翔(CHN) / 刘禹(CHN)

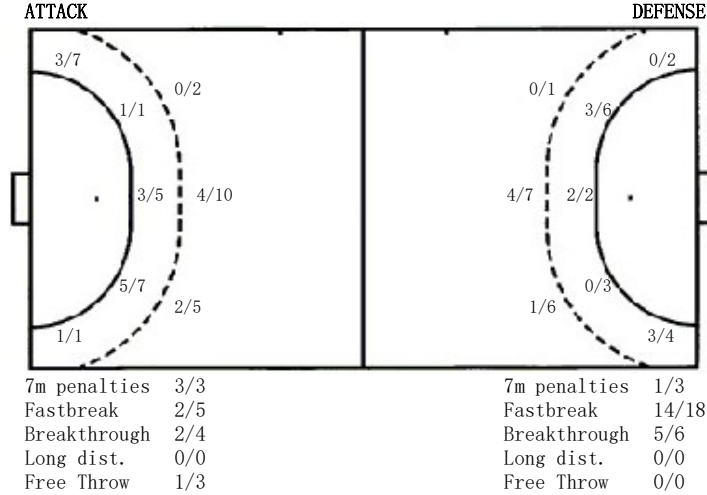
### Shot distribution by player

6. 陈鑫雨	7. 张静	8. 王梓墨	9. 刘馨慧	11. 梅欣洋	12. 范文娜	13. 张心怡																																																															
<table border="1"><tr><td>1/1</td><td></td><td>2/2</td></tr><tr><td></td><td></td><td>1/1</td></tr><tr><td>1/1</td><td></td><td></td></tr></table>	1/1		2/2			1/1	1/1			<table border="1"><tr><td>1/2</td><td></td><td></td></tr><tr><td></td><td></td><td></td></tr><tr><td></td><td></td><td>1/1</td></tr></table>	1/2								1/1	<table border="1"><tr><td></td><td></td><td>1/1</td></tr><tr><td></td><td></td><td></td></tr><tr><td>0/1</td><td></td><td></td></tr></table>			1/1				0/1			<table border="1"><tr><td>1/1</td><td></td><td></td></tr><tr><td></td><td></td><td>0/1</td></tr><tr><td></td><td>0/1</td><td>3/4</td></tr></table>	1/1					0/1		0/1	3/4	<table border="1"><tr><td></td><td></td><td></td></tr><tr><td></td><td></td><td></td></tr><tr><td></td><td></td><td></td></tr></table>										<table border="1"><tr><td></td><td></td><td></td></tr><tr><td></td><td></td><td></td></tr><tr><td></td><td></td><td></td></tr></table>										<table border="1"><tr><td></td><td></td><td></td></tr><tr><td></td><td></td><td></td></tr><tr><td></td><td></td><td></td></tr></table>									
1/1		2/2																																																																			
		1/1																																																																			
1/1																																																																					
1/2																																																																					
		1/1																																																																			
		1/1																																																																			
0/1																																																																					
1/1																																																																					
		0/1																																																																			
	0/1	3/4																																																																			
14. 赵方锐	15. 王晓芸	16. 孙一菡	17. 杨悦	18. 陶璐得	19. 李欣颐	22. 杨洁																																																															
<table border="1"><tr><td></td><td></td><td></td></tr><tr><td></td><td></td><td></td></tr><tr><td></td><td></td><td></td></tr></table>										<table border="1"><tr><td>1/1</td><td></td><td></td></tr><tr><td></td><td></td><td></td></tr><tr><td>0/1</td><td></td><td>1/1</td></tr></table>	1/1						0/1		1/1	<table border="1"><tr><td></td><td></td><td></td></tr><tr><td></td><td></td><td></td></tr><tr><td></td><td></td><td></td></tr></table>										<table border="1"><tr><td></td><td></td><td></td></tr><tr><td></td><td></td><td></td></tr><tr><td></td><td></td><td></td></tr></table>										<table border="1"><tr><td>1/1</td><td></td><td></td></tr><tr><td></td><td></td><td></td></tr><tr><td></td><td></td><td></td></tr></table>	1/1									<table border="1"><tr><td>2/3</td><td>1/1</td><td>1/2</td></tr><tr><td>0/1</td><td>0/1</td><td>1/1</td></tr><tr><td>1/2</td><td>0/1</td><td>2/4</td></tr></table>	2/3	1/1	1/2	0/1	0/1	1/1	1/2	0/1	2/4	<table border="1"><tr><td>3/3</td><td></td><td></td></tr><tr><td></td><td></td><td></td></tr><tr><td>1/1</td><td></td><td></td></tr></table>	3/3						1/1		
1/1																																																																					
0/1		1/1																																																																			
1/1																																																																					
2/3	1/1	1/2																																																																			
0/1	0/1	1/1																																																																			
1/2	0/1	2/4																																																																			
3/3																																																																					
1/1																																																																					
23. 刘子冉	32. 李禹辰	. 合计																																																																			
<table border="1"><tr><td></td><td></td><td></td></tr><tr><td></td><td></td><td></td></tr><tr><td></td><td></td><td></td></tr></table>										<table border="1"><tr><td></td><td></td><td></td></tr><tr><td></td><td></td><td></td></tr><tr><td></td><td></td><td></td></tr></table>										<table border="1"><tr><td>10/12</td><td>1/1</td><td>4/5</td></tr><tr><td>0/1</td><td>0/1</td><td>2/3</td></tr><tr><td>3/6</td><td>0/2</td><td>7/10</td></tr></table>	10/12	1/1	4/5	0/1	0/1	2/3	3/6	0/2	7/10																																								
10/12	1/1	4/5																																																																			
0/1	0/1	2/3																																																																			
3/6	0/2	7/10																																																																			

### Saves distribution goalkeepers

12. 范文娜	16. 孙一菡	. 合计																											
<table border="1"><tr><td></td><td></td><td></td></tr><tr><td></td><td></td><td></td></tr><tr><td>0/1</td><td></td><td>0/1</td></tr></table>							0/1		0/1	<table border="1"><tr><td>5/10</td><td>0/1</td><td>1/4</td></tr><tr><td>2/4</td><td>1/1</td><td>4/6</td></tr><tr><td>4/12</td><td>1/3</td><td>2/10</td></tr></table>	5/10	0/1	1/4	2/4	1/1	4/6	4/12	1/3	2/10	<table border="1"><tr><td>5/10</td><td>0/1</td><td>1/4</td></tr><tr><td>2/4</td><td>1/1</td><td>4/6</td></tr><tr><td>4/13</td><td>1/3</td><td>2/11</td></tr></table>	5/10	0/1	1/4	2/4	1/1	4/6	4/13	1/3	2/11
0/1		0/1																											
5/10	0/1	1/4																											
2/4	1/1	4/6																											
4/12	1/3	2/10																											
5/10	0/1	1/4																											
2/4	1/1	4/6																											
4/13	1/3	2/11																											

### Shots by position



### Shooting statistics

Position	Goals	Save	Miss	Post	Blk	Total	%
9m	6	5	2		4	17	35
6m	9	2		1	1	13	69
边射	4	1	1	2		8	50
7m	3					3	100
快攻	2	2		1		5	40
突破	2	2				4	50
任意球	1	2				3	33
超远射							
合计	27	14	3	4	5	53	51

# Jersey number	Tot. Total shooting	6m 6m shooting	9m 9m shooting	Wing Wing shooting	Fst Fastbreak	7m 7m Throw
Brk. Breakthrough	LD Long distance shooting	As. Assists	E7 Earned 7m	St. Steals	2m 2-minute suspension	C7. Received 7m
D Disqualification	Dr Disqualification+Report	FT Free Throw	PC Pass clear chance	OE Offensiven Errors	TP Time played	W warning
Blk. Block						



# 中华人民共和国第一届学生(青年)运动会

THE 1<sup>ST</sup> STUDENT (YOUTH) GAMES OF THE PEOPLE'S REPUBLIC OF CHINA



## 广西南宁

Final

Match Team Statistics  
Match NO. 24

广西北海 28.5 - 40.5 江苏苏州  
(15.5-15.5) (13.0-25.0)

2023-08-20 18:00  
南宁学院体育馆

Referees: 许翔(CHN) / 刘禹(CHN)

### 江苏苏州

Players		Goals/shots										Attack				Defense			Penalties				TP	
#	Surname and name	Tot.	%	9m	6m	Wing	7m	Fst.	Brk.	FT	LD	As.	PC	E7	OE	St.	C7	Blk	W	2m	D	Dr		
1	黄思彤																							26:25
2	李子艾	1/1	100		1/1										1									15:57
3	陈洪雪																							00:00
6	陈一凡																							00:00
7	邢紫艳	3/9	33.33	2/4	0/1		0/1	1/2	0/1				1	1										38:26
8	史子涵	6/10	60		2/2	0/2		4/6						1	3									60:00
9	赵绿南	4/4	100					2/2	2/2			1		1				1						40:26
10	刘雨晴	2/5	40		0/1	2/3	0/1																	30:00
11	郑芸													1				2						12:31
12	张可											2		1										33:35
13	张秋雨	3/3	100	1/1		1/1		1/1					1	1										30:00
15	张佳睿	6/13	46.15	2/7	1/3			1/1	2/2					1	6									26:14
17	姜翌珊	5/6	83.33				1/1	4/5				1	1	1				1	1		1			32:45
19	缪钰淇	0/2		0/2																				13:23
20	纵子怡																							00:00
25	邢缤燕	3/5	60		1/3			1/1	1/1			1		1	3	1	2	1		1				60:00
	合计	33/58	56.9	5/14	5/11	3/6	1/3	14/18	5/6			5	3	3	16	4	3	5		7				06:59:42

Goalkeepers		Saves / shots											TP	
#	Surname and name	Tot.	%	9m	6m	Wing	7m	Fst	Brk.	FT	LD			
1	黄思彤	6/19	31.58	2/5	2/5	1/3	0/2	1/1	0/2	0/1				26:25
12	张可	8/22	36.36	3/6	0/6	0/2	0/1	1/3	2/2	2/2				33:35
	合计	14/41	34.15	5/11	2/11	1/5	0/3	2/4	2/4	2/3				01:00:00

# Jersey number Tot. Total shooting 6m 6m shooting 9m 9m shooting Wing Wing shooting Fst Fastbreak 7m 7m Throw  
 Brk. Breakthrough LD Long distance shooting As. Assists E7 Earned 7m St. Steals 2m 2-minute suspension C7. Received 7m  
 D Disqualification Dr Disqualification+Report FT Free Throw PC Pass clear chance OE Offensiven Errors TP Time played W warning  
 Blk. Block



## 广西南宁

Final

FTR  
Match NO. 24

广西北海 28.5 - 40.5 江苏苏州  
(15.5-15.5) (13.0-25.0)

2023-08-20 18:00  
南宁学院体育馆

Referees: 许翔(CHN) / 刘禹(CHN)

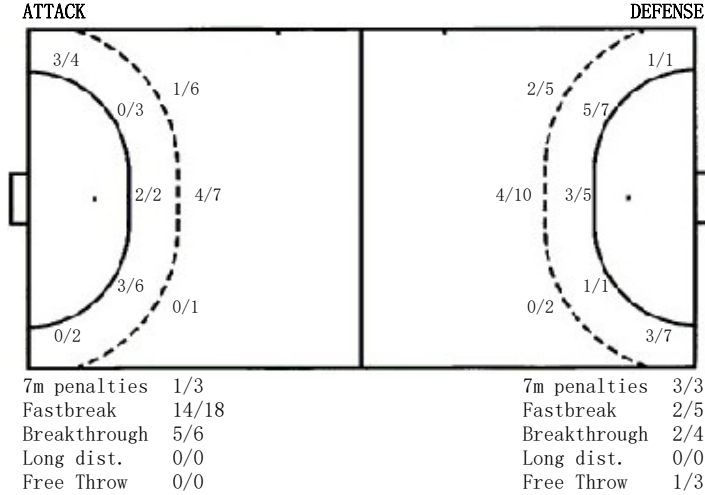
### Shot distribution by player

1. 黄思彤	2. 李子艾	3. 陈洪雪	6. 陈一凡	7. 邢紫艳	8. 史子涵	9. 赵绿南
				0/3	3/3	
				0/1	1/1	0/1
				2/3	1/1	1/1
	1/1			1/2	0/1	4/4
10. 刘雨晴	11. 郑芸	12. 张可	13. 张秋雨	15. 张佳睿	17. 姜翌珊	19. 缪钰淇
			1/1	0/2	1/1	
1/2			1/1		0/1	
				1/1		0/1
				2/5	4/4	0/1
20. 纵子怡	25. 邢缤燕	. 合计				
			5/10	1/1	3/4	
			2/4	0/1	2/6	
			9/13	2/3	9/11	

### Saves distribution goalkeepers

1. 黄思彤	12. 张可	. 合计
0/6	2/6	2/12
0/1	1/1	0/1
1/3	1/1	1/3
	2/5	3/6
1/2	1/1	2/2
1/1	1/1	3/10
2/5	1/5	

### Shots by position



### Shooting statistics

Position	Goals	Save	Miss	Post	Blk	Total	%
9m	5	8		1		14	36
6m	5	5	1			11	45
边射	3	2	1			6	50
7m	1	1	1			3	33
快攻	14	3		1		18	78
突破	5	1				6	83
任意球							
超远射							
合计	33	20	3	2		58	57

# Jersey number	Tot. Total shooting	6m 6m shooting	9m 9m shooting	Wing Wing shooting	Fst Fastbreak	7m 7m Throw
Brk. Breakthrough	LD Long distance shooting	As. Assists	E7 Earned 7m	St. Steals	2m 2-minute suspension	C7. Received 7m
D Disqualification	Dr Disqualification+Report	FT Free Throw	PC Pass clear chance	OE Offensiven Errors	TP Time played	W warning
Blk. Block						