



中华人民共和国第一届学生(青年)运动会

THE 1ST STUDENT (YOUTH) GAMES OF THE PEOPLE'S REPUBLIC OF CHINA



广西南宁

Place 3-4

FTR
Match NO. 27

广西南宁

35.5 - 34.5
(19.5-16.5) (16.0-18.0)

广西北海

2023-08-21 16:20
南宁学院体育馆

Referees: 王雨洋(CHN) / 王羚(CHN)

广西南宁

Players		Goals/shots										Attack				Defense			Penalties				TP	
#	Surname and name	Tot.	%	9m	6m	Wing	7m	Fst.	Brk.	FT	LD	As.	PC	E7	OE	St.	C7	Blk	W	2m	D	Dr		
1	王晓妍											1												47:47
2	付昭君																							00:00
3	程雅涵	4/6	66.67		1/1	1/1	1/1	1/2			0/1													60:00
6	李柯阳	2/5	40	0/2	0/1	1/1		1/1							1	1						1		22:24
7	刘子彤	6/7	85.71		2/3			4/4							1									60:00
8	张朔颜											1			3									04:49
9	孟芳芳																							00:00
10	张井文	11/16	68.75	0/1	8/12			2/2	1/1			1	1		4									55:10
11	周越																							00:00
12	张煜欣																							00:00
14	张芸如																							00:00
16	杨春风																							00:12
19	李子凤	1/9	11.11	1/5	0/1	0/2			0/1				1	1	3		1	2				1		37:35
21	施想	4/5	80			1/1	1/1	2/3				1		2									2	60:00
23	庞佳焯																							00:00
24	祝一凡	2/4	50		1/1	0/1			1/2						3		1							60:00
	合计	30/52	57.69	1/8	12/19	3/6	2/2	10/12	2/4		0/1	4	2	3	15	1	2	2				4		06:47:57

Goalkeepers		Saves / shots										TP
#	Surname and name	Tot.	%	9m	6m	Wing	7m	Fst.	Brk.	FT	LD	
1	王晓妍	6/33	18.18	1/1	2/14	2/8	0/2	0/2	1/5	0/1		47:47
12	张煜欣											00:00
16	杨春风	0/6			0/1	0/1	0/1	0/1	0/1	0/1		00:12
	合计	6/39	15.38	1/1	2/15	2/9	0/3	0/3	1/6	0/2		00:47:59

Jersey number Tot. Total shooting 6m 6m shooting 9m 9m shooting Wing Wing shooting Fst Fastbreak 7m 7m Throw
 Brk. Breakthrough LD Long distance shooting As. Assists E7 Earned 7m St. Steals 2m 2-minute suspension C7. Received 7m
 D Disqualification Dr Disqualification+Report FT Free Throw PC Pass clear chance OE Offensiven Errors TP Time played W warning
 Blk. Block



广西南宁

Place 3-4

Match Team Statistics
Match NO. 27

广西南宁 35.5 - 34.5 广西北海
(19.5-16.5) (16.0-18.0)

2023-08-21 16:20
南宁学院体育馆

Referees: 王雨洋(CHN) / 王羚(CHN)

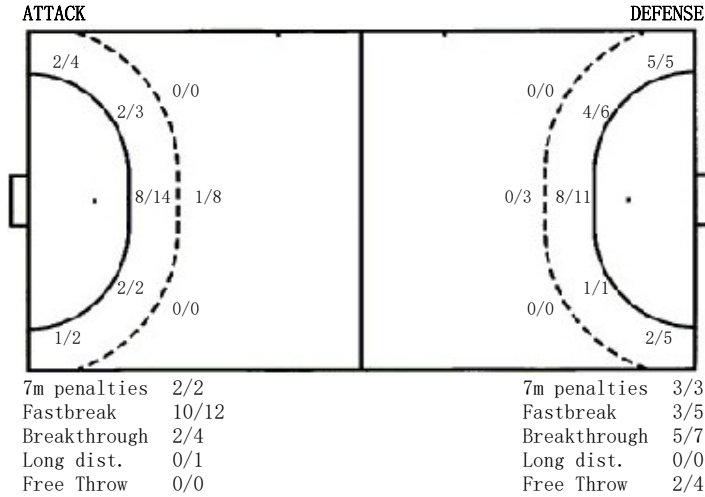
Shot distribution by player

1. 王晓妍	2. 付昭君	3. 程雅涵	6. 李柯阳	7. 刘予彤	8. 张朔颜	9. 孟芳芳
		1/1	1/1	2/2		
			0/1	0/1		
		2/2	0/1	1/1	2/2	1/1
		2miss				
10. 张井文	11. 周越	12. 张煜欣	14. 张芸如	16. 杨春风	19. 李子凤	21. 施想
1/1					0/1	
5/5	2/2	3/4			0/2	
3miss 1block					0/1	1/1
23. 庞佳焜	24. 祝一凡	. 合计			2post 2miss	1post
		4/4	1/2			
		1/5				
		11/13	4/4	9/11		
	1post	4post 7miss 2block				

Saves distribution goalkeepers

1. 王晓妍	12. 张煜欣	16. 杨春风	. 合计
1/7	1/1	1/3	
1/1	1/1	0/1	
0/11	0/1	1/7	
		0/1	
		0/5	
		1/8	1/1
		1/1	0/1
		0/11	0/1
		1/12	

Shots by position



Shooting statistics

Position	Goals	Save	Miss	Post	Blk	Total	%
9m	1	3	2	2		8	13
6m	12	3	2		2	19	63
边射	3	2	1			6	50
7m	2					2	100
快攻	10		1	1		12	83
突破	2	1		1		4	50
任意球							
超远射			1			1	
合计	30	9	7	4	2	52	58

# Jersey number	Tot. Total shooting	6m 6m shooting	9m 9m shooting	Wing Wing shooting	Fst Fastbreak	7m 7m Throw
Brk. Breakthrough	LD Long distance shooting	As. Assists	E7 Earned 7m	St. Steals	2m 2-minute suspension	C7. Received 7m
D Disqualification	Dr Disqualification+Report	FT Free Throw	PC Pass clear chance	OE Offensiven Errors	TP Time played	W warning
Blk. Block						

Match Team Statistics
Match NO. 27

广西南宁 35.5 - 34.5 广西北海
(19.5-16.5) (16.0-18.0)

2023-08-21 16:20
南宁学院体育馆

Referees: 王雨洋(CHN) / 王羚(CHN)

广西北海

Players		Goals/shots										Attack				Defense			Penalties				TP	
#	Surname and name	Tot.	%	9m	6m	Wing	7m	Fst.	Brk.	FT	LD	As.	PC	E7	OE	St.	C7	Blk	W	2m	D	Dr		
6	陈鑫雨	9/10	90		8/9				1/1					1	1	3	1							59:08
7	张静	1/2	50			1/1		0/1										1						30:00
8	王梓墨	4/7	57.14			2/4		2/3				1			1									30:00
9	刘馨慧	3/4	75			0/1	3/3								1									19:31
11	梅欣洋	4/7	57.14	0/1	2/2				1/2	1/2					6		1							26:26
12	范文娜																							00:00
13	张心怡																							00:00
14	赵方锐																							00:39
15	王晓芸	3/3	100						3/3			1		1										57:17
16	孙一菡												1											29:31
17	杨悦														1	1		1			1			19:42
18	陶璐得	2/3	66.67		2/3							2			2									19:29
19	李欣颀	3/10	30	0/2	1/4			1/1	0/1	1/2		3			3									34:14
22	杨洁	4/4	100			4/4							1			1	1			1	2			60:00
23	刘子冉																							00:00
32	李禹辰																							00:00
	合计	33/50	66	0/3	13/18	7/10	3/3	3/5	5/7	2/4		7	2	2	15	5	3	2	1	3				06:25:57

Goalkeepers		Saves / shots										TP
#	Surname and name	Tot.	%	9m	6m	Wing	7m	Fst.	Brk.	FT	LD	
12	范文娜											00:00
16	孙一菡	9/38	23.68	3/4	3/15	2/5	0/2	0/9	1/3			29:31
	合计	9/38	23.68	3/4	3/15	2/5	0/2	0/9	1/3			00:29:31

Jersey number Tot. Total shooting 6m 6m shooting 9m 9m shooting Wing Wing shooting Fst Fastbreak 7m 7m Throw
 Brk. Breakthrough LD Long distance shooting As. Assists E7 Earned 7m St. Steals 2m 2-minute suspension C7. Received 7m
 D Disqualification Dr Disqualification+Report FT Free Throw PC Pass clear chance OE Offensiven Errors TP Time played W warning
 Blk. Block



广西南宁

Place 3-4

FTR
Match NO. 27

广西南宁 35.5 - 34.5 广西北海
(19.5-16.5) (16.0-18.0)

2023-08-21 16:20
南宁学院体育馆

Referees: 王雨洋(CHN) / 王羚(CHN)

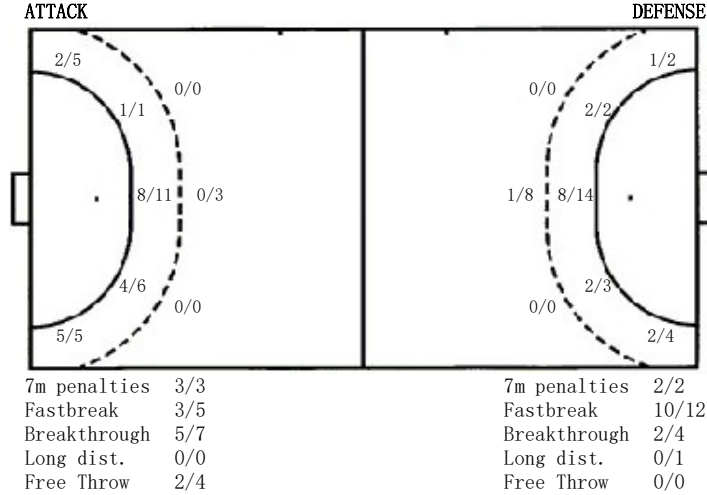
Shot distribution by player

6. 陈鑫雨	7. 张静	8. 王梓墨	9. 刘馨慧	11. 梅欣洋	12. 范文娜	13. 张心怡
4/4				0/1		
3/3		2/2				
1miss		1/1				
14. 赵方锐	15. 王晓芸	16. 孙一菡	17. 杨悦	18. 陶璐得	19. 李欣颐	22. 杨洁
		2post		2post		
		2/2	1/1	2/2		
		1/1	1/1	2/3		
				1/1		
					1/2	0/1
					0/1	
	1/1		2/2		1/1	
				1/1		1/1
					1/1	1/1
					1post	2miss
23. 刘子冉	32. 李禹辰	. 合计				
			7/8	0/1	2/3	
			0/1	0/1	1/1	
			11/11	1/1	11/12	
			5post	4miss	2block	

Saves distribution goalkeepers

12. 范文娜	16. 孙一菡	. 合计
	0/3	1/2
	4/5	
	2/13	0/4
	0/4	1/2
	4/5	
	2/13	0/4
	0/4	2/11

Shots by position



Shooting statistics

Position	Goals	Save	Miss	Post	Blk	Total	%
9m		1	1	1		3	
6m	13	2	1	1	1	18	72
边射	7	2		1		10	70
7m	3					3	100
快攻	3		1	1		5	60
突破	5	1	1			7	71
任意球	2			1	1	4	50
超远射							
合计	33	6	4	5	2	50	66

# Jersey number	Tot. Total shooting	6m 6m shooting	9m 9m shooting	Wing Wing shooting	Fst Fastbreak	7m 7m Throw
Brk. Breakthrough	LD Long distance shooting	As. Assists	E7 Earned 7m	St. Steals	2m 2-minute suspension	C7. Received 7m
D Disqualification	Dr Disqualification+Report	FT Free Throw	PC Pass clear chance	OE Offensiven Errors	TP Time played	W warning
Blk. Block						