



中华人民共和国第一届学生(青年)运动会

THE 1ST STUDENT (YOUTH) GAMES OF THE PEOPLE'S REPUBLIC OF CHINA



广西南宁

Preliminary

FTR
Match NO. 3

江苏苏州

44.5 - 21.0
(26.5-11.0) (18.0-10.0)

广东深圳

2023-08-13 17:20
南宁学院体育馆

Referees: 王羚(CHN) / 康曦(CHN)

江苏苏州

Players		Goals/shots										Attack				Defense			Penalties				TP	
#	Surname and name	Tot.	%	9m	6m	Wing	7m	Fst.	Brk.	FT	LD	As.	PC	E7	OE	St.	C7	Blk	W	2m	D	Dr		
1	黄思彤											2	1											30:00
2	李子艾	1/3	33.33		0/2			1/1				2			1									48:27
3	陈洪雪	1/1	100			1/1									1									06:07
6	陈一凡	1/1	100					1/1																01:15
7	邢紫艳	7/9	77.78		1/3		1/1	2/2	3/3				1		5	1	4							47:47
8	史子涵	10/11	90.91			2/3	1/1	7/7								1								56:10
9	赵绿南	0/1	0		0/1									1	1							1		05:34
10	刘雨晴	1/2	50				1/1	0/1																32:58
11	郑芸	1/3	33.33		0/1			1/2				1		1										08:57
12	张可											1			1									30:00
13	张秋雨	2/2	100				1/1	1/1																27:03
15	张佳睿	6/8	75	1/3	4/4			1/1						1	1							1		54:52
17	姜翌珊	4/5	80		1/2		1/1	2/2					1		4	1		1			1			09:05
19	缪钰淇	0/1	0	0/1																				00:00
20	纵子怡																							02:55
25	邢缤燕	2/2	100					1/1	1/1							3	1	1						55:44
	合计	36/49	73.47	1/4	6/13	3/4	5/5	17/19	4/4			6	3	3	17	4	5	1		3				06:56:54

Goalkeepers		Saves / shots											TP												
#	Surname and name	Tot.	%	9m	6m	Wing	7m	Fst.	Brk.	FT	LD														
1	黄思彤	10/20	50	4/5	3/6	1/3	1/3	1/3																	30:00
12	张可	9/19	47.37	1/3	0/3	5/7		2/2	0/2	1/2															30:00
	合计	19/39	48.72	5/8	3/9	6/10	1/3	3/5	0/2	1/2															01:00:00

Jersey number Tot. Total shooting 6m 6m shooting 9m 9m shooting Wing Wing shooting Fst Fastbreak 7m 7m Throw
 Brk. Breakthrough LD Long distance shooting As. Assists E7 Earned 7m St. Steals 2m 2-minute suspension C7. Received 7m
 D Disqualification Dr Disqualification+Report FT Free Throw PC Pass clear chance OE Offensiven Errors TP Time played W warning
 Blk. Block



广西南宁

Preliminary

Match Team Statistics
Match NO. 3

江苏苏州 44.5 - 21.0
(26.5-11.0) (18.0-10.0) 广东深圳

2023-08-13 17:20
南宁学院体育馆

Referees: 王羚(CHN) / 康曦(CHN)

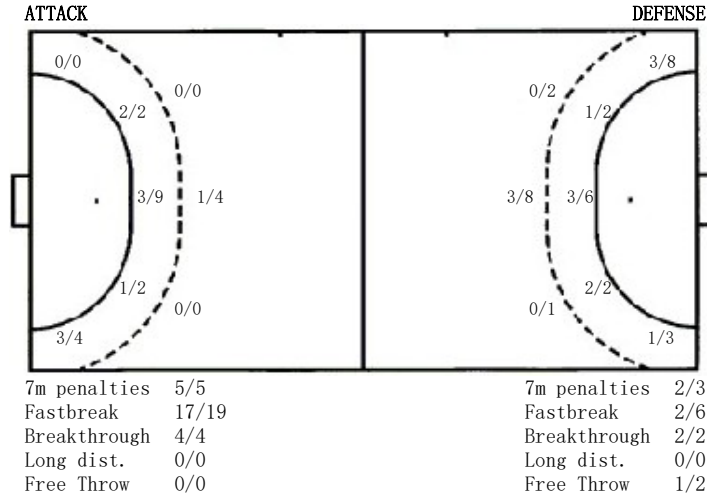
Shot distribution by player

1. 黄思彤	2. 李子艾	3. 陈洪雪	6. 陈一凡	7. 邢紫艳	8. 史子涵	9. 赵绿南
				3/3	3/3 1/1 1/1	
	0/2			1/2	1/1	0/1
	1/1	1/1	1/1	2/2	3/3 1/1	
10. 刘雨晴	11. 郑芸	12. 张可	13. 张秋雨	15. 张佳睿	17. 姜翌珊	19. 缪钰淇
0/1			1/1	2/2 1/1	2/2	
					0/1	
	1/1		1/1	1/1 2/3	2/2	
20. 纵子怡	25. 邢缤燕	. 合计		1miss	1miss	1miss
	1/1	11/12 2/2 2/2				
	1/1	2/3 0/5				
		8/8 11/13				
		4miss				

Saves distribution goalkeepers

1. 黄思彤	12. 张可	. 合计
0/1 1/1 1/1	1/2 0/1	1/3 1/1 1/2
2/2 1/1 1/4	1/4 2/2	3/6 1/1 3/6
2/6 2/4	2/4 1/1 2/5	4/10 1/1 4/9

Shots by position



Shooting statistics

Position	Goals	Save	Miss	Post	Blk	Total	%
9m	1	1	2			4	25
6m	6	6	1			13	46
边射	3		1			4	75
7m	5					5	100
快攻	17	2				19	89
突破	4					4	100
任意球							
超远射							
合计	36	9	4			49	73

#	Jersey number	Tot.	Total shooting	6m	6m shooting	9m	9m shooting	Wing	Wing shooting	Fst	Fastbreak	7m	7m Throw
Brk.	Breakthrough	LD	Long distance shooting	As.	Assists	E7	Earned 7m	St.	Steals	2m	2-minute suspension	C7.	Received 7m
D	Disqualification	Dr	Disqualification+Report	FT	Free Throw	PC	Pass clear chance	OE	Offensiven Errors	TP	Time played	W	warning
Blk.	Block												



广西南宁
Preliminary

Match Team Statistics
Match NO. 3

江苏苏州 44.5 - 21.0 广东深圳
(26.5-11.0) (18.0-10.0)

2023-08-13 17:20
南宁学院体育馆

Referees: 王羚(CHN) / 康曦(CHN)

广东深圳

Players		Goals/shots										Attack				Defense			Penalties				TP	
#	Surname and name	Tot.	%	9m	6m	Wing	7m	Fst.	Brk.	FT	LD	As.	PC	E7	OE	St.	C7	Blk	W	2m	D	Dr		
3	程乐珊	0/1						0/1							1									22:32
4	周夏平																							09:24
6	覃元沿	5/9	55.56	2/3	0/2			1/2	2/2			1	1	2	1	1								53:22
8	潘媛媛	2/2	100		2/2									3										36:19
11	张露文	2/2	100			2/2									1									18:50
12	江津津																							06:10
15	曲菁熠	4/6	66.67		1/1	1/2	2/2	0/1						2	1									53:19
16	邱思甜													1										53:50
19	张晓梅	2/11	18.18	0/5	1/2	0/1	0/1			1/2		1	2	2		1								53:10
22	黎芊慧													1										06:32
23	邓颖芝	0/1				0/1						1	1	2						1				40:44
27	黄坚苹	1/2	50	1/2								1		3										06:06
28	陈瑶													1										00:00
30	陈莲娣	1/1	100		1/1									1		1								07:01
32	陈秋莹	3/10	30	0/1	1/2	1/5		1/2						2	1					1				50:17
34	唐洁然																							00:13
	合计	20/45	44.44	3/11	6/10	4/11	2/3	2/6	2/2	1/2		4	1	5	20	3	3			1	1			06:57:49

Goalkeepers		Saves / shots										TP
#	Surname and name	Tot.	%	9m	6m	Wing	7m	Fst	Brk.	FT	LD	
12	江津津	2/5	40	1/1	1/3	0/1						06:10
16	邱思甜	7/40	17.5	0/1	5/9	0/2	0/5	2/19	0/4			53:50
	合计	9/45	20	1/2	6/12	0/3	0/5	2/19	0/4			01:00:00

Jersey number Tot. Total shooting 6m 6m shooting 9m 9m shooting Wing Wing shooting Fst Fastbreak 7m 7m Throw
 Brk. Breakthrough LD Long distance shooting As. Assists E7 Earned 7m St. Steals 2m 2-minute suspension C7. Received 7m
 D Disqualification Dr Disqualification+Report FT Free Throw PC Pass clear chance OE Offensiven Errors TP Time played W warning
 Blk. Block



广西南宁

Preliminary

FTR
Match NO. 3

江苏苏州 44.5 - 21.0
(26.5-11.0) (18.0-10.0)

2023-08-13 17:20
南宁学院体育馆

Referees: 王羚(CHN) / 康曦(CHN)

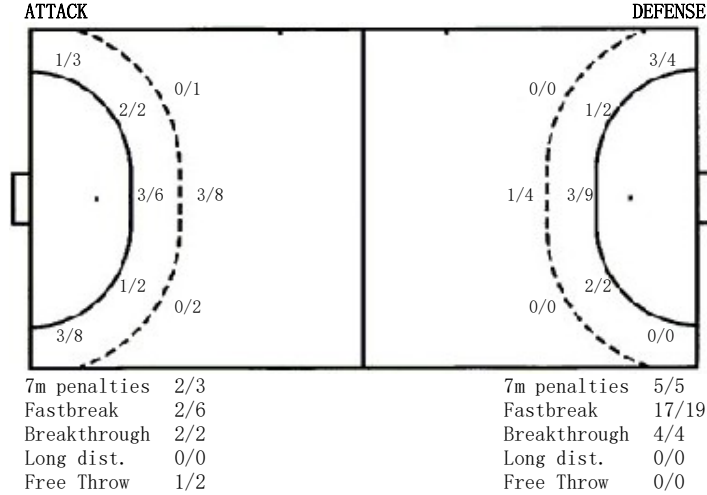
Shot distribution by player

3. 程乐珊	4. 周夏平	6. 覃元沿	8. 潘媛媛	11. 张露文	12. 江津津	15. 曲菁熠																																																															
<table border="1"><tr><td></td><td></td><td>0/1</td></tr><tr><td></td><td></td><td></td></tr><tr><td></td><td></td><td></td></tr></table>			0/1							<table border="1"><tr><td></td><td></td><td></td></tr><tr><td></td><td></td><td></td></tr><tr><td></td><td></td><td></td></tr></table>										<table border="1"><tr><td></td><td></td><td></td></tr><tr><td>1/1</td><td></td><td>1/1</td></tr><tr><td>1/1</td><td></td><td>2/3</td></tr></table>				1/1		1/1	1/1		2/3	<table border="1"><tr><td>1/1</td><td></td><td></td></tr><tr><td></td><td></td><td></td></tr><tr><td></td><td></td><td>1/1</td></tr></table>	1/1								1/1	<table border="1"><tr><td></td><td></td><td></td></tr><tr><td>1/1</td><td></td><td></td></tr><tr><td>1/1</td><td></td><td></td></tr></table>				1/1			1/1			<table border="1"><tr><td></td><td></td><td></td></tr><tr><td></td><td></td><td></td></tr><tr><td></td><td></td><td></td></tr></table>										<table border="1"><tr><td></td><td></td><td></td></tr><tr><td></td><td></td><td>2/2</td></tr><tr><td>0/1</td><td></td><td>2/3</td></tr></table>						2/2	0/1		2/3
		0/1																																																																			
1/1		1/1																																																																			
1/1		2/3																																																																			
1/1																																																																					
		1/1																																																																			
1/1																																																																					
1/1																																																																					
		2/2																																																																			
0/1		2/3																																																																			
16. 邱思甜	19. 张晓梅	22. 黎芊慧	23. 邓颖芝	27. 黄坚莘	28. 陈瑶	30. 陈莲娣																																																															
<table border="1"><tr><td></td><td></td><td></td></tr><tr><td></td><td></td><td></td></tr><tr><td></td><td></td><td></td></tr></table>										<table border="1"><tr><td></td><td>0/1</td><td>1/2</td></tr><tr><td></td><td>0/1</td><td>0/1</td></tr><tr><td>1/4</td><td></td><td></td></tr></table>		0/1	1/2		0/1	0/1	1/4			<table border="1"><tr><td></td><td></td><td></td></tr><tr><td></td><td></td><td></td></tr><tr><td></td><td></td><td></td></tr></table>										<table border="1"><tr><td></td><td></td><td></td></tr><tr><td></td><td></td><td></td></tr><tr><td></td><td></td><td></td></tr></table>										<table border="1"><tr><td></td><td></td><td></td></tr><tr><td>1/2</td><td></td><td></td></tr><tr><td></td><td></td><td></td></tr></table>				1/2						<table border="1"><tr><td></td><td></td><td></td></tr><tr><td></td><td></td><td></td></tr><tr><td></td><td></td><td></td></tr></table>										<table border="1"><tr><td></td><td></td><td>1/1</td></tr><tr><td></td><td></td><td></td></tr><tr><td></td><td></td><td></td></tr></table>			1/1						
	0/1	1/2																																																																			
	0/1	0/1																																																																			
1/4																																																																					
1/2																																																																					
		1/1																																																																			
32. 陈秋莹	34. 唐洁然	. 合计																																																																			
<table border="1"><tr><td>0/1</td><td></td><td></td></tr><tr><td>0/2</td><td></td><td>0/1</td></tr><tr><td>3/3</td><td></td><td>0/2</td></tr></table>	0/1			0/2		0/1	3/3		0/2	<table border="1"><tr><td></td><td></td><td></td></tr><tr><td></td><td></td><td></td></tr><tr><td></td><td></td><td></td></tr></table>										<table border="1"><tr><td>2/3</td><td>0/1</td><td>1/2</td></tr><tr><td>3/6</td><td>0/1</td><td>3/6</td></tr><tr><td>6/10</td><td>0/1</td><td>5/9</td></tr></table>	2/3	0/1	1/2	3/6	0/1	3/6	6/10	0/1	5/9																																								
0/1																																																																					
0/2		0/1																																																																			
3/3		0/2																																																																			
2/3	0/1	1/2																																																																			
3/6	0/1	3/6																																																																			
6/10	0/1	5/9																																																																			

Saves distribution goalkeepers

12. 江津津	16. 邱思甜	. 合计																											
<table border="1"><tr><td></td><td></td><td></td></tr><tr><td></td><td></td><td>1/1</td></tr><tr><td>0/1</td><td></td><td>1/3</td></tr></table>						1/1	0/1		1/3	<table border="1"><tr><td>1/12</td><td>0/2</td><td>0/2</td></tr><tr><td>1/3</td><td></td><td>4/4</td></tr><tr><td>0/7</td><td></td><td>1/10</td></tr></table>	1/12	0/2	0/2	1/3		4/4	0/7		1/10	<table border="1"><tr><td>1/12</td><td>0/2</td><td>0/2</td></tr><tr><td>1/3</td><td></td><td>5/5</td></tr><tr><td>0/8</td><td></td><td>2/13</td></tr></table>	1/12	0/2	0/2	1/3		5/5	0/8		2/13
		1/1																											
0/1		1/3																											
1/12	0/2	0/2																											
1/3		4/4																											
0/7		1/10																											
1/12	0/2	0/2																											
1/3		5/5																											
0/8		2/13																											

Shots by position



Shooting statistics

Position	Goals	Save	Miss	Post	Blk	Total	%
9m	3	5	2		1	11	27
6m	6	3	1			10	60
边射	4	6	1			11	36
7m	2	1				3	67
快攻	2	3	1			6	33
突破	2					2	100
任意球	1	1				2	50
超远射							
合计	20	19	5		1	45	44

# Jersey number	Tot. Total shooting	6m 6m shooting	9m 9m shooting	Wing Wing shooting	Fst Fastbreak	7m 7m Throw
Brk. Breakthrough	LD Long distance shooting	As. Assists	E7 Earned 7m	St. Steals	2m 2-minute suspension	C7. Received 7m
D Disqualification	Dr Disqualification+Report	FT Free Throw	PC Pass clear chance	OE Offensiven Errors	TP Time played	W warning
Blk. Block						