



# 中华人民共和国第一届学生(青年)运动会

THE 1<sup>ST</sup> STUDENT (YOUTH) GAMES OF THE PEOPLE'S REPUBLIC OF CHINA



## 广西南宁

Preliminary

FTR  
Match NO. 4

安徽滁州

43.5 - 17.5  
(18.0-10.0) (25.5-7.5)

山西大同

2023-08-13 19:00  
南宁学院体育馆

Referees: 伍豪(CHN) / 李加伟(CHN)

### 安徽滁州

Players		Goals/shots										Attack				Defense			Penalties				TP	
#	Surname and name	Tot.	%	9m	6m	Wing	7m	Fst.	Brk.	FT	LD	As.	PC	E7	OE	St.	C7	Blk	W	2m	D	Dr		
2	丁希悦	1/4	25	0/1	1/1			0/2				2			1	1		1						13:37
3	杨晨曦	0/1	0	0/1											1									04:43
4	刘亦萱											1												13:37
6	洪子悦	1/4	25		0/1		0/1	1/2							2									13:37
8	梁静	4/6	66.67	1/1	1/2	0/1	1/1	1/1				4	1		3									32:05
9	宋雨叶	1/1	100					1/1																13:37
10	李楠	6/7	85.71		3/4			3/3								1	1	1						13:37
11	赵若妍	2/5	40			0/1		2/4							2	2						1		16:23
12	陶紫雯																							13:30
16	杨文奇																							16:30
17	黄紫蝶	3/3	100		1/1			2/2				1		1	4	1		1		1				22:09
18	王晶晶	9/10	90	3/4	2/2			3/3	1/1					1	1	1								16:23
19	许琪嫣	2/2	100	1/1				1/1						1	2									16:23
20	胡佳欣	2/3	66.67		1/2			1/1					1	1	2	1						1		08:53
21	朱梦颖	3/4	75	1/1				1/1	1/2			2	2		2	2	1					1		28:39
	合计	34/50	68	6/9	9/13	0/2	1/2	16/21	2/3			10	4	4	20	9	2	3				4		04:03:43

Goalkeepers		Saves / shots										TP
#	Surname and name	Tot.	%	9m	6m	Wing	7m	Fst.	Brk.	FT	LD	
12	陶紫雯	10/20	50	2/3	3/9	4/5	0/1		1/2			13:30
16	杨文奇	8/15	53.33	2/3	4/6	0/2	1/2	0/1		1/1		16:30
	合计	18/35	51.43	4/6	7/15	4/7	1/3	0/1	1/2	1/1		00:30:00

# Jersey number    Tot. Total shooting    6m 6m shooting    9m 9m shooting    Wing Wing shooting    Fst Fastbreak    7m 7m Throw  
 Brk. Breakthrough    LD Long distance shooting    As. Assists    E7 Earned 7m    St. Steals    2m 2-minute suspension    C7. Received 7m  
 D Disqualification    Dr Disqualification+Report    FT Free Throw    PC Pass clear chance    OE Offensiven Errors    TP Time played    W warning  
 Blk. Block



## 广西南宁

Preliminary

Match Team Statistics  
Match NO. 4

安徽滁州 43.5 - 17.5  
(18.0-10.0) (25.5-7.5)

山西大同

2023-08-13 19:00  
南宁学院体育馆

Referees: 伍豪(CHN) / 李加伟(CHN)

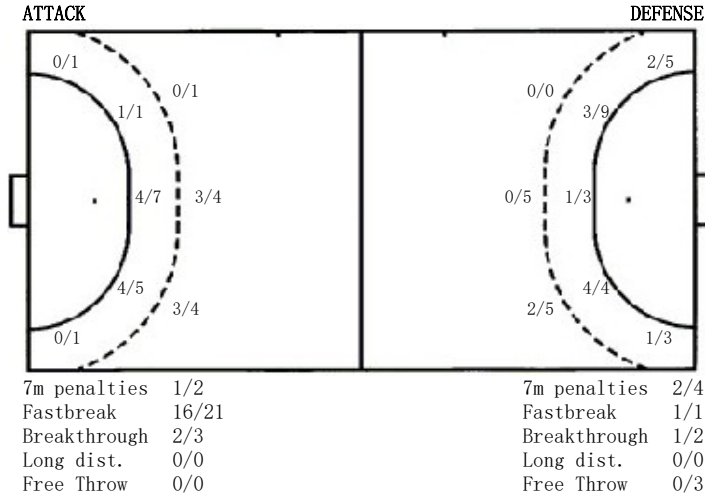
### Shot distribution by player

2. 丁希悦	3. 杨晨曦	4. 刘亦萱	6. 洪子悦	8. 梁静	9. 宋雨叶	10. 李楠																																																															
<table border="1"><tr><td></td><td></td><td>0/1</td></tr><tr><td>1/1</td><td></td><td>0/1</td></tr><tr><td></td><td></td><td></td></tr></table>			0/1	1/1		0/1				<table border="1"><tr><td></td><td></td><td></td></tr><tr><td>0/1</td><td></td><td></td></tr><tr><td></td><td></td><td></td></tr></table>				0/1						<table border="1"><tr><td></td><td></td><td></td></tr><tr><td></td><td></td><td></td></tr><tr><td></td><td></td><td></td></tr></table>										<table border="1"><tr><td></td><td></td><td></td></tr><tr><td></td><td></td><td>1/1</td></tr><tr><td></td><td></td><td></td></tr></table>						1/1				<table border="1"><tr><td>1/1</td><td></td><td></td></tr><tr><td></td><td></td><td></td></tr><tr><td>2/3</td><td>1/1</td><td></td></tr></table>	1/1						2/3	1/1		<table border="1"><tr><td></td><td></td><td>1/1</td></tr><tr><td></td><td></td><td></td></tr><tr><td></td><td></td><td></td></tr></table>			1/1							<table border="1"><tr><td></td><td></td><td></td></tr><tr><td></td><td></td><td></td></tr><tr><td>4/4</td><td></td><td>2/3</td></tr></table>							4/4		2/3
		0/1																																																																			
1/1		0/1																																																																			
0/1																																																																					
		1/1																																																																			
1/1																																																																					
2/3	1/1																																																																				
		1/1																																																																			
4/4		2/3																																																																			
lmiss			2post 1miss	lmiss																																																																	
11. 赵若妍	12. 陶紫雯	16. 杨文奇	17. 黄紫蝶	18. 王晶晶	19. 许琪嫣	20. 胡佳欣																																																															
<table border="1"><tr><td></td><td></td><td></td></tr><tr><td></td><td></td><td>1/1</td></tr><tr><td>1/1</td><td></td><td></td></tr></table>						1/1	1/1			<table border="1"><tr><td></td><td></td><td></td></tr><tr><td></td><td></td><td></td></tr><tr><td></td><td></td><td></td></tr></table>										<table border="1"><tr><td></td><td></td><td></td></tr><tr><td></td><td></td><td></td></tr><tr><td></td><td></td><td></td></tr></table>										<table border="1"><tr><td></td><td></td><td></td></tr><tr><td></td><td></td><td></td></tr><tr><td>2/2</td><td></td><td>1/1</td></tr></table>							2/2		1/1	<table border="1"><tr><td></td><td></td><td>1/1</td></tr><tr><td></td><td></td><td></td></tr><tr><td>4/4</td><td>2/2</td><td>2/2</td></tr></table>			1/1				4/4	2/2	2/2	<table border="1"><tr><td></td><td></td><td></td></tr><tr><td></td><td></td><td></td></tr><tr><td>2/2</td><td></td><td></td></tr></table>							2/2			<table border="1"><tr><td></td><td></td><td>1/1</td></tr><tr><td></td><td></td><td></td></tr><tr><td></td><td>1/1</td><td></td></tr></table>			1/1					1/1	
		1/1																																																																			
1/1																																																																					
2/2		1/1																																																																			
		1/1																																																																			
4/4	2/2	2/2																																																																			
2/2																																																																					
		1/1																																																																			
	1/1																																																																				
lpost 2miss				lmiss		lpost																																																															
21. 朱梦颖	. 合计																																																																				
<table border="1"><tr><td></td><td></td><td></td></tr><tr><td></td><td></td><td></td></tr><tr><td>3/3</td><td></td><td></td></tr></table>							3/3			<table border="1"><tr><td>1/1</td><td></td><td>3/4</td></tr><tr><td>2/3</td><td></td><td>2/3</td></tr><tr><td>18/19</td><td>3/3</td><td>5/6</td></tr></table>	1/1		3/4	2/3		2/3	18/19	3/3	5/6																																																		
3/3																																																																					
1/1		3/4																																																																			
2/3		2/3																																																																			
18/19	3/3	5/6																																																																			
lpost	5post 6miss																																																																				

### Saves distribution goalkeepers

12. 陶紫雯	16. 杨文奇	. 合计																											
<table border="1"><tr><td>1/1</td><td></td><td>0/3</td></tr><tr><td>1/1</td><td></td><td>2/2</td></tr><tr><td>3/8</td><td>2/2</td><td>1/3</td></tr></table>	1/1		0/3	1/1		2/2	3/8	2/2	1/3	<table border="1"><tr><td>1/2</td><td>1/1</td><td></td></tr><tr><td></td><td></td><td>1/1</td></tr><tr><td>3/6</td><td></td><td>2/5</td></tr></table>	1/2	1/1				1/1	3/6		2/5	<table border="1"><tr><td>2/3</td><td>1/1</td><td>0/3</td></tr><tr><td>1/1</td><td></td><td>3/3</td></tr><tr><td>6/14</td><td>2/2</td><td>3/8</td></tr></table>	2/3	1/1	0/3	1/1		3/3	6/14	2/2	3/8
1/1		0/3																											
1/1		2/2																											
3/8	2/2	1/3																											
1/2	1/1																												
		1/1																											
3/6		2/5																											
2/3	1/1	0/3																											
1/1		3/3																											
6/14	2/2	3/8																											

### Shots by position



### Shooting statistics

Position	Goals	Save	Miss	Post	Blk	Total	%
9m	6	2	1			9	67
6m	9	1	1	2		13	69
边射		1	1			2	
7m	1		1			2	50
快攻	16	1	2	2		21	76
突破	2			1		3	67
任意球							
超远射							
合计	34	5	6	5		50	68

# Jersey number	Tot. Total shooting	6m 6m shooting	9m 9m shooting	Wing Wing shooting	Fst Fastbreak	7m 7m Throw
Brk. Breakthrough	LD Long distance shooting	As. Assists	E7 Earned 7m	St. Steals	2m 2-minute suspension	C7. Received 7m
D Disqualification	Dr Disqualification+Report	FT Free Throw	PC Pass clear chance	OE Offensiven Errors	TP Time played	W warning
Blk. Block						



# 中华人民共和国第一届学生(青年)运动会

THE 1<sup>ST</sup> STUDENT (YOUTH) GAMES OF THE PEOPLE'S REPUBLIC OF CHINA



## 广西南宁

Preliminary

Match Team Statistics  
Match NO. 4

安徽滁州

43.5 - 17.5  
(18.0-10.0) (25.5-7.5)

山西大同

2023-08-13 19:00  
南宁学院体育馆

Referees: 伍豪(CHN) / 李加伟(CHN)

### 山西大同

Players		Goals/shots										Attack				Defense			Penalties				TP	
#	Surname and name	Tot.	%	9m	6m	Wing	7m	Fst.	Brk.	FT	LD	As.	PC	E7	OE	St.	C7	Blk	W	2m	D	Dr		
2	刘瑞雪																							50:00
3	史丽媛	3/6	50		2/3	1/3									2									13:37
4	吕萌														2									05:20
5	于淼	0/4			0/1	0/1	0/1			0/1				1	5						1			34:20
6	宫瑜涓	1/2	50		1/2									1	2		1							41:36
7	刘洪阳	9/21	42.86	2/8	4/6	1/1	0/1	1/1	1/2	0/2				7	1	2								30:00
13	王熠琳																							00:00
15	姚思羽	0/1			0/1										4		1							11:03
16	张蕊																							00:00
17	马彩钰	1/4	25		0/1	1/3									6									53:27
18	王嘉怡																							00:00
19	刘墨霖	3/6	50	0/2	1/2		2/2								8									52:58
20	毕玉																							00:00
	合计	17/44	38.64	2/10	8/16	3/8	2/4	1/1	1/2	0/3				2	34	3	4				1			04:52:21

Goalkeepers		Saves / shots										TP
#	Surname and name	Tot.	%	9m	6m	Wing	7m	Fst	Brk.	FT	LD	
2	刘瑞雪	5/32	15.63	2/8	1/7	1/1	0/1	1/13	0/2			50:00
13	王熠琳	0/7			0/3			0/4				00:00
18	王嘉怡											00:00
	合计	5/39	12.82	2/8	1/10	1/1	0/1	1/17	0/2			00:50:00

#	Jersey number	Tot.	Total shooting	6m	6m shooting	9m	9m shooting	Wing	Wing shooting	Fst	Fastbreak	7m	7m Throw
Brk.	Breakthrough	LD	Long distance shooting	As.	Assists	E7	Earned 7m	St.	Steals	2m	2-minute suspension	C7.	Received 7m
D	Disqualification	Dr	Disqualification+Report	FT	Free Throw	PC	Pass clear chance	OE	Offensiven Errors	TP	Time played	W	warning
Blk.	Block												



## 广西南宁

Preliminary

FTR  
Match NO. 4

安徽滁州

43.5 - 17.5  
(18.0-10.0) (25.5-7.5)

山西大同

2023-08-13 19:00  
南宁学院体育馆

Referees: 伍豪(CHN) / 李加伟(CHN)

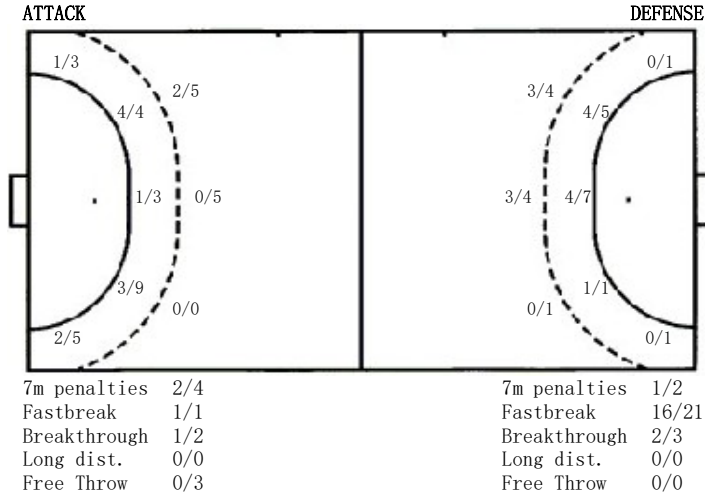
### Shot distribution by player

2. 刘瑞雪	3. 史丽媛	4. 吕萌	5. 于淼	6. 宫瑜涓	7. 刘洪阳	13. 王熠琳
	0/1 1/1		0/1	0/1	2/2	
	0/1				0/1 0/2	
	2/2		0/1 0/2	1/1	4/5 0/2 3/3	
	lmiss				2post lmiss 3block	
15. 姚思羽	16. 张蕊	17. 马彩钰	18. 王嘉怡	19. 刘墨霖	20. 毕玉	. 合计
				1/1		1/3 0/1 3/3
0/1		0/2 1/2		1/2 1/1		0/1 0/3
				lpost lmiss		8/14 0/2 5/8
						3post 3miss 3block

### Saves distribution goalkeepers

2. 刘瑞雪	13. 王熠琳	18. 王嘉怡	. 合计
0/1 1/4			0/1 1/4
1/3 1/3			1/3 1/3
1/15 0/2 1/4	0/4 0/1 0/2		1/19 0/3 1/6

### Shots by position



### Shooting statistics

Position	Goals	Save	Miss	Post	Blk	Total	%
9m	2	4	2	1	1	10	20
6m	8	7		1		16	50
边射	3	4	1			8	38
7m	2	1		1		4	50
快攻	1					1	100
突破	1	1				2	50
任意球		1			2	3	
超远射							
合计	17	18	3	3	3	44	39

# Jersey number    Tot. Total shooting    6m 6m shooting    9m 9m shooting    Wing Wing shooting    Fst Fastbreak    7m 7m Throw  
 Brk. Breakthrough    LD Long distance shooting    As. Assists    E7 Earned 7m    St. Steals    2m 2-minute suspension    C7. Received 7m  
 D Disqualification    Dr Disqualification+Report    FT Free Throw    PC Pass clear chance    OE Offensiven Errors    TP Time played    W warning  
 Blk. Block