



# 25th IHF Women's Junior World Championship 2026



Preliminary Round - Group B, 1. round

Match Team Statistics

Match No. 3

**Austria 29 - 22 Angola**  
(14 - 12) (15 - 10)

24.6.2026. 11:45

Attendance: 100

Jinzhang College Gymnasium

Referees: Mads Fremstad (NOR) / Jorgen Jorstad (NOR)

## Austria

#	Surname and name	S	Goals / shots								Attack				Def.			Penalties				TP					
			Tot.	%	9m	6m	Wing	7m	FB	Brk.	LD	As.	PC	E7	E2	TF	St.	C7	Blk	YC	2m		R	B			
1	DORFINGER Elena		1/1	100											1/1												33:52
2	PROVIN Naomi		2/5	40	0/3	1/1			1/1									1									6:53
5	TRUTSCHNIG Elisabeth		2/5	40	0/1	1/2									1/2			3							1		14:39
8	NEUNTEUFEL Leonie	S	3/5	60		0/1	3/4											1									43:57
11	SIEBER Chiara		4/4	100		2/2	1/1		1/1									1									18:59
12	PLAVOTIC Nina	S																									22:08
13	SCHIEBER Leana	S	1/1	100	1/1																						8:14
14	CHROUST Rebecca		7/8	88	1/2				2/2						4/4			2									34:20
17	RAPPITSCH Rebecca																										38:42
19	PREISS Anja																										13:34
21	MATICEVIC Martina	S	5/10	50	1/6				1/1						3/3			1							2		35:51
22	THUN Mathilde	S	3/3	100	1/1	1/1									1/1												49:59
26	LOVRINOVIC Christina																										8:14
28	KLINGHOFER Sophie	S	0/1	0	0/1																						23:59
34	HANDLER Rosa	S	1/1	100											1/1												30:45
44	SCHWEIGER Melina		0/1	0											0/1			2									35:42
Team / bench																											
TOTAL			29/45	64	4/15	5/7	5/6	3/3	3/3	8/10	1/1	7	1	3	2	13	4	4	6	0	4	0	0				

#	Surname and name	Saves / shots								
		Tot.	%	9m	6m	Wing	7m	FB	Brk.	LD
1	DORFINGER Elena	3/15	20	1/3	0/2	0/3	0/3		2/4	
12	PLAVOTIC Nina	4/14	29	0/2	2/6	1/2	0/1	1/1	0/2	
TOTAL		7/29	24	1/5	2/8	1/5	0/4	1/1	2/6	0/0

Coach: Miro Barisic

Number of attacks: 55, Efficiency: 53%, Average Duration: 32.07 seconds

### Attack by type of defense

	Shots	9m	6m	Wing	TF	E7	E2
On def. 6-0	20/35	4/15	4/5	4/5	13	3	2
Fastbreak	3/3				0	0	0

### Defense by type

	Total	9m	6m	Wing	Stl.	C7	2m
Def. 6-0	18/36	4/14	6/8	4/5	4	4	0
Fastbreak	0/1				0	0	4

### Attack with superiority / minority / goalkeeper out

	Attack				Reaction		
	Att.	Eff.	Shots	TF	FB	LD	Tot.
7 on 6 (GK out)	5	60%	3/3	2	0/0	0/0	0/0
6 on 6 (GK out)	5	60%	3/4	1	0/0	0/0	0/0
6 on 6	42	48%	20/32	10			
6 on 5	3	100%	3/3	0			

Player superiority / GK out counted at the end of attack (in case it changes during attack)

### Defense with superiority / minority / goalkeeper out

	Attack				Reaction		
	Att.	Eff.	Shots	TF	FB	LD	Tot.
7 on 6 (GK out)	6	83%	5/5	1	0/0	1/1	1/1
6 on 6 (GK out)	1	0%	0/0	1	0/0	0/0	0/0
6 on 6	38	32%	12/25	13			
5 on 6	2	100%	2/2	0			
6 on 5	9	33%	3/6	3			

Numbers show attacking numbers of opponent. Lower efficiency of opponent means better defense of this team

# Jersey number Tot. Total shooting 6m 6m (line) shooting 9m 9m shooting Wng Wing shooting FB Fastbreak sh. 7m 7m penalty sh.  
 Brk. Breakthrough sh. LD Long distance sh. As. Assists PC Pass clear chance E7 Earned 7m pen. TF Technical faults St. Steals  
 2m 2m punishments C7. Committed 7m E2 Earned 2m pun. YC. Yellow cards R/B Red/Blue cards Blk. Blocks S Starting Line-up

Handball statistics and livescore by Toma-soft ltd (www.toma-soft.hr)



# 25th IHF Women's Junior World Championship 2026



Preliminary Round - Group B, 1. round

## Match Team Statistics

Match No. 3

### Austria 29 - 22 Angola

(14 - 12) (15 - 10)

24.6.2026. 11:45

Attendance: 100

Jinzhong College Gymnasium

Referees: Mads Fremstad (NOR) / Jorgen Jorstad (NOR)

## Shot distribution by player

### 2 N. Provin

2/3		

2 block

### 5 E. Trutschnig

		1/1
	0/1	
0/1	1/1	

1 miss.

### 8 L. Neunteufel

1/1		
1/1	0/1	1/1

1 post

### 11 C. Sieber

		1/1
1/1		2/2

### 13 L. Schieber

1/1		

### 14 R. Chroust

1/1	0/1	2/2
1/1		
2/2		1/1

### 17 R. Rappitsch


### 19 A. Preiss


### 21 M. Maticcevic

		2/3
0/1	0/1	0/1
	1/1	2/2

1 post

### 22 M. Thun

2/2	1/1	

### 26 C. Lovrinovic


### 28 S. Klinghofer

0/1		

### 34 R. Handler

1/1		

### 44 M. Schweiger

0/1		

## TOTAL

3/3	1/2	6/7
2/5	0/2	0/1
8/10	2/3	6/6

2 post 1 miss. 2 block

## Saves distribution goalkeepers

### 1 E. Dorfinger

		1/2
1/6	1/2	0/5

### 12 N. Plavotic

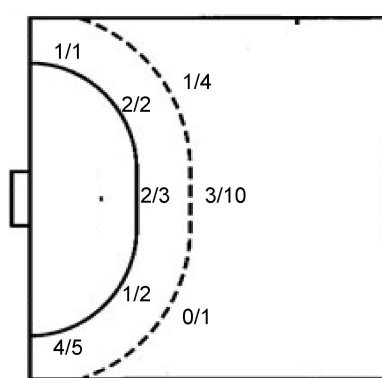
0/1	0/1	1/3
1/3	2/2	0/4

## TOTAL

0/1	0/1	1/3
		1/2
2/9	3/4	0/9

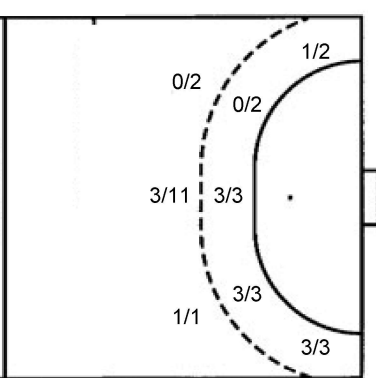
## Shots by position

### ATTACK



7m penalties 3/3  
Fastbreak 3/3  
Breakthrough 8/10  
Long dist. 1/1

### DEFENSE



7m penalties 4/4  
Fastbreak 0/1  
Breakthrough 4/9  
Long dist. 0/0

## Shooting statistics

Position	Goals	Sav.	Miss.	Post	Blk.	Total	%
Back (9m)	4	7	1	1	2	15	27
Line (6m)	5	1	0	1	0	7	71
Wing	5	1	0	0	0	6	83
7m penalties	3	0	0	0	0	3	100
Fastbreak	3	0	0	0	0	3	100
Breakthrough	8	2	0	0	0	10	80
<b>Total</b>	<b>28</b>	<b>11</b>	<b>1</b>	<b>2</b>	<b>2</b>	<b>44</b>	<b>64</b>

# Jersey number Tot. Total shooting 6m 6m (line) shooting 9m 9m shooting Wng Wing shooting FB Fastbreak sh. 7m 7m penalty sh.  
Brk. Breakthrough sh. LD Long distance sh. As. Assists PC Pass clear chance E7 Earned 7m pen. TF Technical faults St. Steals  
2m 2m punishments C7. Committed 7m E2 Earned 2m pun. YC. Yellow cards R/B Red/Blue cards Blk. Blocks S Starting Line-up

Handball statistics and livescore by Toma-soft ltd (www.toma-soft.hr)



# 25th IHF Women's Junior World Championship 2026



Preliminary Round - Group B, 1. round

Match Team Statistics

Match No. 3

**Austria 29 - 22 Angola**  
(14 - 12) (15 - 10)

24.6.2026. 11:45

Attendance: 100

Jinzhong College Gymnasium

Referees: Mads Fremstad (NOR) / Jorgen Jorstad (NOR)

## Angola

#	Surname and name	S	Goals / shots								Attack				Def.			Penalties			TP							
			Tot.	%	9m	6m	Wing	7m	FB	Brk.	LD	As.	PC	E7	E2	TF	St.	C7	Blk	YC		2m	R	B				
2	MANUEL Vilma Da Cunha		1/1	100											1		1										14:50	
3	LOURENÇO Telma Francisca Da Costa	S	1/3	33		0/1	1/2																		1		53:57	
6	CATECO Isabel Tinguica	S	4/10	40	2/6	1/2								1												1	30:25	
7	PEREIRA Beatriz Bundo Calepete	S	0/2	0					0/1	0/1						1											50:31	
9	KESSONGO Eliana Jusane Catumbela																										0:02	
10	PAULINO Patricia Rossana Pascoal		4/4	100		4/4										1									2		23:32	
11	CASSOMA Gitiane Ariane Cangombe															1											23:55	
12	NETO Daniela Virginia Miquenha De S	S																									38:31	
13	NUNDA Balbina Cassova Afonsa	S	4/4	100					4/4					2	1			2	3								42:05	
15	COSTA Leticia	S	4/9	44	2/6	1/1	1/1													1							44:37	
20	ANJOS Augusta Rodrina Tchinhama Dos																									2	4:54	
33	DOMINGOS Elizandra Helena Lopes																									1	17:57	
77	AMBROSIO Isabel Zinga Da Silva		2/2	100			2/2																				19:45	
90	LUSSENDE Carla Beatriz	S	2/6	33	0/2									3				2	1								41:02	
98	ALFREDO Marina Calei Dos Anjos																										13:47	
Team / bench																												
TOTAL			22/41	54	4/14	6/8	4/5	4/4	0/1	4/9	0/0	7	1	4	4	18	2	3	2	0	2	0	0					

#	Surname and name	Saves / shots								
		Tot.	%	9m	6m	Wing	7m	FB	Brk.	LD
12	NETO Daniela Virginia Miquenha De S	7/25	28	6/9	0/1	1/5	0/2	0/2	0/6	
33	DOMINGOS Elizandra Helena Lopes	4/13	31	1/2	1/4	0/1	0/1	0/1	2/4	
TOTAL		11/38	29	7/11	1/5	1/6	0/3	1/3	2/10	0/0

Coach: José Chuma

Number of attacks: 56, Efficiency: 39%, Average Duration: 32.14 seconds

### Attack by type of defense

	Shots	9m	6m	Wing	TF	E7	E2
On def. 6-0	18/36	4/14	6/8	4/5	18	4	4
Fastbreak	0/1				0	0	0

### Defense by type

	Total	9m	6m	Wing	Stl.	C7	2m
Def. 6-0	20/35	4/15	4/5	4/5	2	3	0
Fastbreak	3/3				0	0	2

### Attack with superiority / minority / goalkeeper out

	Attack				Reaction		
	Att.	Eff.	Shots	TF	FB	LD	Tot.
7 on 6 (GK out)	6	83%	5/5	1	0/0	1/1	1/1
6 on 6 (GK out)	1	0%	0/0	1	0/0	0/0	0/0
6 on 6	38	32%	12/25	13			
5 on 6	2	100%	2/2	0			
6 on 5	9	33%	3/6	3			

Player superiority / GK out counted at the end of attack (in case it changes during attack)

### Defense with superiority / minority / goalkeeper out

	Attack				Reaction		
	Att.	Eff.	Shots	TF	FB	LD	Tot.
7 on 6 (GK out)	5	60%	3/3	2	0/0	0/0	0/0
6 on 6 (GK out)	5	60%	3/4	1	0/0	0/0	0/0
6 on 6	42	48%	20/32	10			
6 on 5	3	100%	3/3	0			

Numbers show attacking numbers of opponent. Lower efficiency of opponent means better defense of this team

# Jersey number Tot. Total shooting 6m 6m (line) shooting 9m 9m shooting Wng Wing shooting FB Fastbreak sh. 7m 7m penalty sh.  
Brk. Breakthrough sh. LD Long distance sh. As. Assists PC Pass clear chance E7 Earned 7m pen. TF Technical faults St. Steals  
2m 2m punishments C7. Committed 7m E2 Earned 2m pun. YC. Yellow cards R/B Red/Blue cards Blk. Blocks S Starting Line-up



# 25th IHF Women's Junior World Championship 2026



Preliminary Round - Group B, 1. round

## Match Team Statistics

Match No. 3

**Austria 29 - 22 Angola**  
(14 - 12) (15 - 10)

24.6.2026. 11:45

Attendance: 100

Jinzhong College Gymnasium

Referees: Mads Fremstad (NOR) / Jorgen Jorstad (NOR)

## Shot distribution by player

### 2 V. Manuel

	1/1	

### 3 T. Lourenço

		0/1
	0/1	1/1

### 6 I. Cateco

		2/2
		1/1
1/3		

1 post 2 miss. 1 block

### 7 B. Pereira

	0/2	

### 9 E. Kessongo


### 10 P. Paulino

	1/1	
1/1		2/2

### 11 G. Cassoma


### 13 B. Nunda

1/1		3/3

### 15 L. Costa

1/1		
		0/1
2/2		1/1

1 miss. 3 block

### 20 A. Anjos


### 77 I. Ambrosio

2/2		

### 90 C. Lussende

		2/2

2 miss. 2 block

### 98 M. Alfredo


### TOTAL

1/1	1/1	2/3
		1/2
7/9	1/4	9/9

1 post 5 miss. 6 block

## Saves distribution goalkeepers

### 12 D. Neto

0/2	1/2	1/4
2/4	1/1	1/1
0/5	1/2	0/4

### 33 E. Domingos

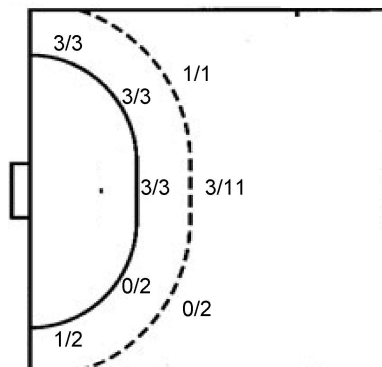
0/1		0/3
1/1	1/1	
2/5		0/2

### TOTAL

0/3	1/2	1/7
3/5	2/2	1/1
2/10	1/2	0/6

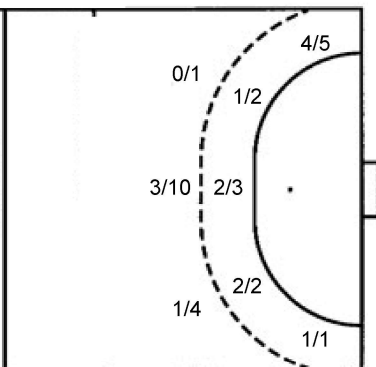
## Shots by position

### ATTACK



7m penalties	4/4
Fastbreak	0/1
Breakthrough	4/9
Long dist.	0/0

### DEFENSE



7m penalties	3/3
Fastbreak	3/3
Breakthrough	8/10
Long dist.	1/1

## Shooting statistics

Position	Goals	Sav.	Miss.	Post	Blk.	Total	%
Back (9m)	4	1	3	0	6	14	29
Line (6m)	6	2	0	0	0	8	75
Wing	4	1	0	0	0	5	80
7m penalties	4	0	0	0	0	4	100
Fastbreak	0	1	0	0	0	1	0
Breakthrough	4	2	2	1	0	9	44
<b>Total</b>	<b>22</b>	<b>7</b>	<b>5</b>	<b>1</b>	<b>6</b>	<b>41</b>	<b>54</b>

# Jersey number Tot. Total shooting 6m 6m (line) shooting 9m 9m shooting Wng Wing shooting FB Fastbreak sh. 7m 7m penalty sh.  
Brk. Breakthrough sh. LD Long distance sh. As. Assists PC Pass clear chance E7 Earned 7m pen. TF Technical faults St. Steals  
2m 2m punishments C7. Committed 7m E2 Earned 2m pun. YC. Yellow cards R/B Red/Blue cards Blk. Blocks S Starting Line-up

Handball statistics and livescore by Toma-soft ltd (www.toma-soft.hr)

